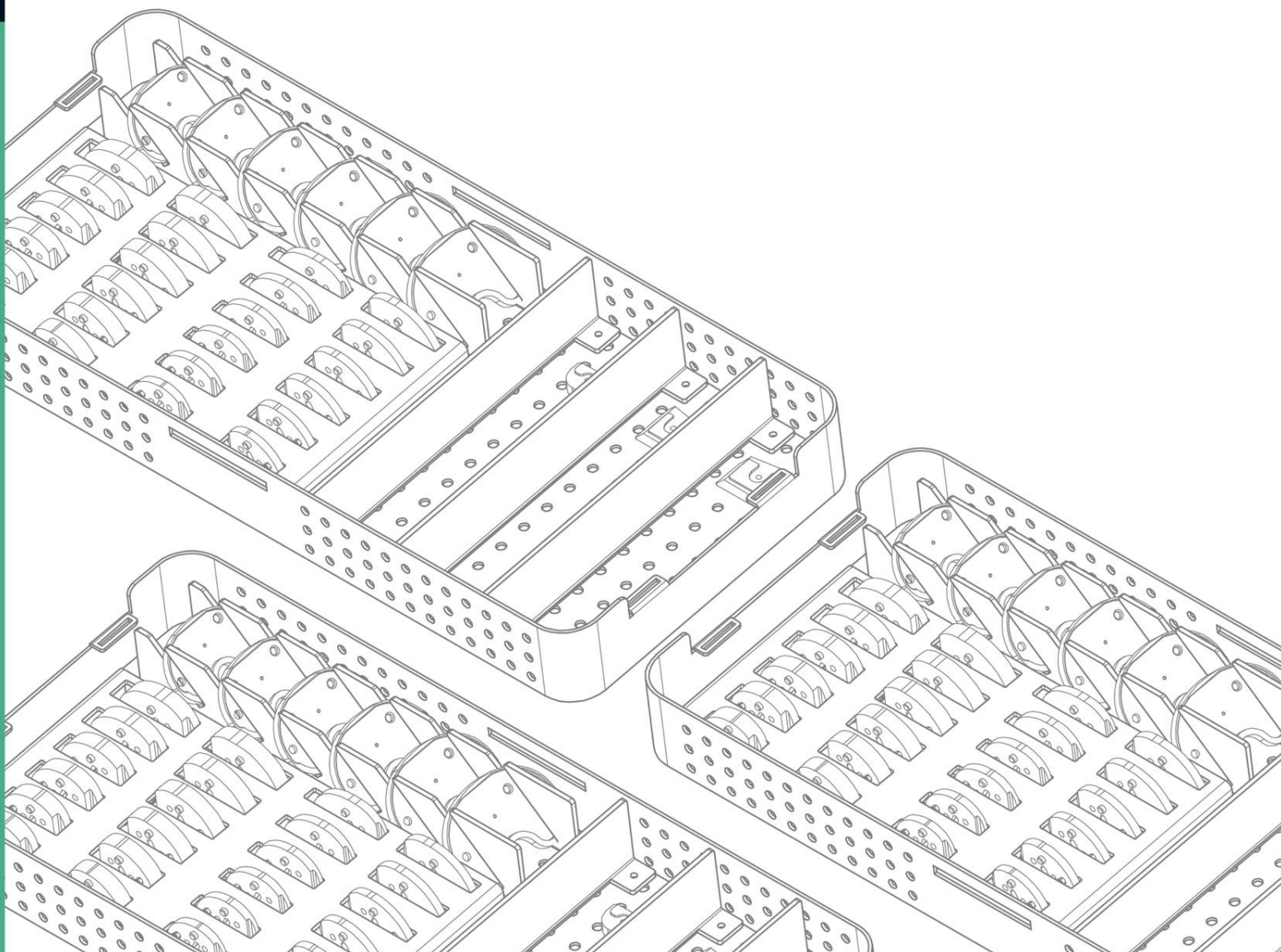




UNITED  
ORTHOPEDIC®

# KNEE Instrument Disassembly and Specific Cleaning Manual















# Content










|  |            |
|--|------------|
| <b>Clinical Cleaning – Graphical Symbols .....</b> | <b>I</b>   |
| <b>C-ring Feature.....</b>                         | <b>III</b> |
| <b>Slot and Hole Feature.....</b>                  | <b>IV</b>  |
| <b>Slide Feature.....</b>                          | <b>V</b>   |
| EX. 9303-5101.....                                 | <b>V</b>   |
| EX. 9303-5301.....                                 | <b>V</b>   |
| EX. 9303-5311.....                                 | <b>V</b>   |
| <b>Caliper.....</b>                                | <b>1</b>   |
| EX. 9401-7012.....                                 | <b>1</b>   |
| <b>Distal Spacer.....</b>                          | <b>2</b>   |
| EX. 9303-5402~5408.....                            | <b>2</b>   |
| <b>Femoral Driver.....</b>                         | <b>3</b>   |
| EX. 9303-5110~5110-RD.....                         | <b>3</b>   |
| EX. 9304-5101.....                                 | <b>4</b>   |
| <b>Femoral IM Alignment Guide.....</b>             | <b>5</b>   |
| EX. 9303-2105.....                                 | <b>5</b>   |
| EX. 9303-2111-RA.....                              | <b>5</b>   |
| EX. 9303-2706.....                                 | <b>5</b>   |
| EX. 9304-2101.....                                 | <b>6</b>   |
| <b>Femoral Sizer, anterior reference.....</b>      | <b>7</b>   |
| EX. 9301-2285.....                                 | <b>7</b>   |
| EX. 9301-7101.....                                 | <b>7</b>   |
| EX. 9303-7101~7101-RE.....                         | <b>7</b>   |
| <b>Femoral Sizer-A/P Resection Guide.....</b>      | <b>8</b>   |
| EX. 9304-7101.....                                 | <b>8</b>   |
| <b>Femoral Stylus.....</b>                         | <b>9</b>   |
| EX. 9304-7102.....                                 | <b>9</b>   |
| <b>Femoral Valgus Adaptor.....</b>                 | <b>10</b>  |
| EX. 9303-5333-RB~5334-RB.....                      | <b>10</b>  |

|  |           |
|--|-----------|
| <b>Head Pin Impactor</b> .....               | <b>11</b> |
| EX. 9304-5107.....                           | 11        |
| <b>IM Rod Handle</b> .....                   | <b>12</b> |
| EX. 9304-1101.....                           | 12        |
| <b>MB Tibial Insert Trial Adaptor</b> .....  | <b>13</b> |
| EX. 9403-5105.....                           | 13        |
| <b>Modular Handle</b> .....                  | <b>14</b> |
| EX. 9304-1103.....                           | 14        |
| <b>Offset Adaptor Trial, 6 mm</b> .....      | <b>15</b> |
| EX. 2903-2030.....                           | 15        |
| <b>On Set Patellar Resection Guide</b> ..... | <b>16</b> |
| EX. 9404-2301.....                           | 16        |
| EX. 9404-2301-RA.....                        | 16        |
| <b>Patella Clamp</b> .....                   | <b>17</b> |
| EX. 9404-5305.....                           | 17        |
| <b>Patellar Reamer Stopper</b> .....         | <b>18</b> |
| EX. 9401-4205.....                           | 18        |
| <b>Patellar Resection Clamp</b> .....        | <b>19</b> |
| EX. 9401-5302-RB.....                        | 19        |
| <b>Patellar Stylus</b> .....                 | <b>20</b> |
| EX. 9404-7301.....                           | 20        |
| <b>Pin Extractor</b> .....                   | <b>21</b> |
| EX. 9303-5002.....                           | 21        |
| EX. 9304-5106.....                           | 22        |
| <b>PS Reamer</b> .....                       | <b>23</b> |
| EX. 9304-4101.....                           | 23        |
| EX. 9303-4101-RD.....                        | 23        |
| EX. 9303-4101-RF.....                        | 23        |

|   |           |
|---|-----------|
| <b>Quick Pin Driver.....</b>              | <b>24</b> |
| EX. 9303-5001-RA.....                     | 24        |
| EX. 9304-5105.....                        | 24        |
| <b>Stem Trial Driver.....</b>             | <b>25</b> |
| EX. 9303-1101.....                        | 25        |
| <b>T-handle Assembly.....</b>             | <b>26</b> |
| EX. 9301-1100.....                        | 26        |
| EX. 9301-1300.....                        | 26        |
| <b>Tibial Baseplate Driver.....</b>       | <b>27</b> |
| EX. 9403-5101.....                        | 27        |
| EX. 9403-5101-RC.....                     | 27        |
| <b>Tibial Baseplate Trial Handle.....</b> | <b>28</b> |
| EX. 9403-1202.....                        | 28        |
| EX. 9403-1203.....                        | 28        |
| <b>Tibial EM Alignment Guide.....</b>     | <b>29</b> |
| EX. 9403-2104-RA.....                     | 29        |
| EX. 9403-2108.....                        | 31        |
| EX. 9404-2101.....                        | 33        |
| <b>Tibial IM Alignment Guide .....</b>    | <b>35</b> |
| EX. 9403-2103.....                        | 35        |
| EX. 9403-2103-RA.....                     | 35        |
| EX. 9403-2310.....                        | 35        |
| <b>Tibial Insert Trial Handle.....</b>    | <b>36</b> |
| EX. 9404-1103.....                        | 36        |
| <b>Tibial Punch Handle.....</b>           | <b>37</b> |
| EX. 9403-1101.....                        | 37        |
| EX. 9403-1101-RC.....                     | 37        |
| EX. 9403-1102-RC.....                     | 37        |
| EX. 9404-1101.....                        | 38        |

# Clinical Cleaning – Graphical Symbols

| Pictogram   | Title<br>Description  | Standard/Ref. No.                    |
|---|---|--------------------------------------|
|    | <b>Direction in general</b><br>Direction of the motion or force (push, pull and bend)   | ISO 14617-2 / 241                    |
|    | <b>Alternative directions in general</b><br>Two-way direction of the motion or force.   | ISO 14617-2 / 241                    |
|    | <b>Limited rectilinear motion</b><br>To indicate limited rectilinear motion.  | ISO 7000 / IEC 60417 / 0001          |
|    | <b>Direction of continuous rotation</b><br>To indicate that a control, or an object by means of a control, can be moved in a clockwise rotary motion.                         | ISO 7000 / IEC 60417 / 0004          |
|    | <b>Limited rotation</b><br>To indicate limited rotary motion in a clockwise direction.  | ISO 7000 / IEC 60417 / 0006          |
|  | <b>Rotation in two directions</b><br>To indicate that a control, or an object by means of a control, can be moved in a clockwise and anticlockwise rotation.                  | ISO 7000 / IEC 60417 / 0005          |
|  | <b>Rotational movement clockwise</b><br>To indicate clockwise rotational movement with the axis of rotation parallel to the direction of production.                          | ISO 7000 / IEC 60417 / 0978          |
|  | <b>Rotational movement anticlockwise</b><br>To indicate anticlockwise rotational movement with the axis of rotation parallel to the direction of production.                  | ISO 7000 / IEC 60417 / 0976          |
|  | <b>Lock; tighten</b><br>To indicate the function of locking or clamping two machine parts together, or location of a machine element in a fixed position.                     | ISO 7000 / IEC 60417 / 0018          |
|  | <b>Unlock; unclamp</b><br>To indicate the function of releasing two machine elements locked or clamped together, or the releasing of a machine element from a fixed position. | ISO 7000 / IEC 60417 / 0019          |
|  | <b>Limited rotation and return</b><br>To indicate limited successive motion in clockwise and anticlockwise directions   | ISO 7000 / IEC 60417 / 0007          |
|  | <b>Caution</b><br>Caution or Instructions for Use.  | ISO 15223-1 / 5.4.4<br>EN 980 / 5.11 |

|   |   |                                      |
|---|---|--------------------------------------|
|     | <b>Tap water flush</b><br>To identify an open water tap or connection or the control to open up the water supply.   | ISO 7000 / IEC 60417 / 5574          |
|    | <b>Spraying</b><br>Spraying use syringes, pipettes and/or water jet.  | ISO 7000 / IEC 60417 / 0073          |
|    | <b>Rotary brush</b><br>Use the Pipe brush or Test tube brush with threading or twisting motion.   | ISO 7000 / IEC 60417 / 0307          |
|    | <b>Locking</b><br>To identify on a control that a function is locked or to show the locked status.  | ISO 7000 / IEC 60417 / 5569          |
|    | <b>Unlocking</b><br>To identify on a control that a function is not locked or to show the unlocked status.  | ISO 7000 / IEC 60417 / 5570          |
|    | <b>Manufacturer</b><br>Indicate the medical device manufacturer, as defined in EU Directives 90/385/EEC, 93/42/EEC and 98/79/EC.                            | ISO 15223-1 / 5.1.1<br>EN 980 / 5.12 |
|  | <b>Authorized representative in the European Community</b><br>Indicate the authorized representative in the European Community.                             | ISO 15223-1 / 5.1.2<br>EN 980 / 5.13 |
|  | <b>Success</b><br>To identify the control to acknowledge affirmatively and to indicate the status of acknowledgement, or to indicate the successful status. | ISO 7000 / IEC 60417 / 6334A         |
|  | <b>Failure</b><br>To indicate the status of negative acknowledgement, or to indicate the failed status.   | ISO 7000 / IEC 60417 / 6335B         |



FOR MORE DETAILED CLEANING PROCEDURES PLEASE REFER TO UOC-UM-UN-00029 (MT50867), REPROCESSING INSTRUCTIONS FOR REUSABLE SURGICAL INSTRUMENTS.

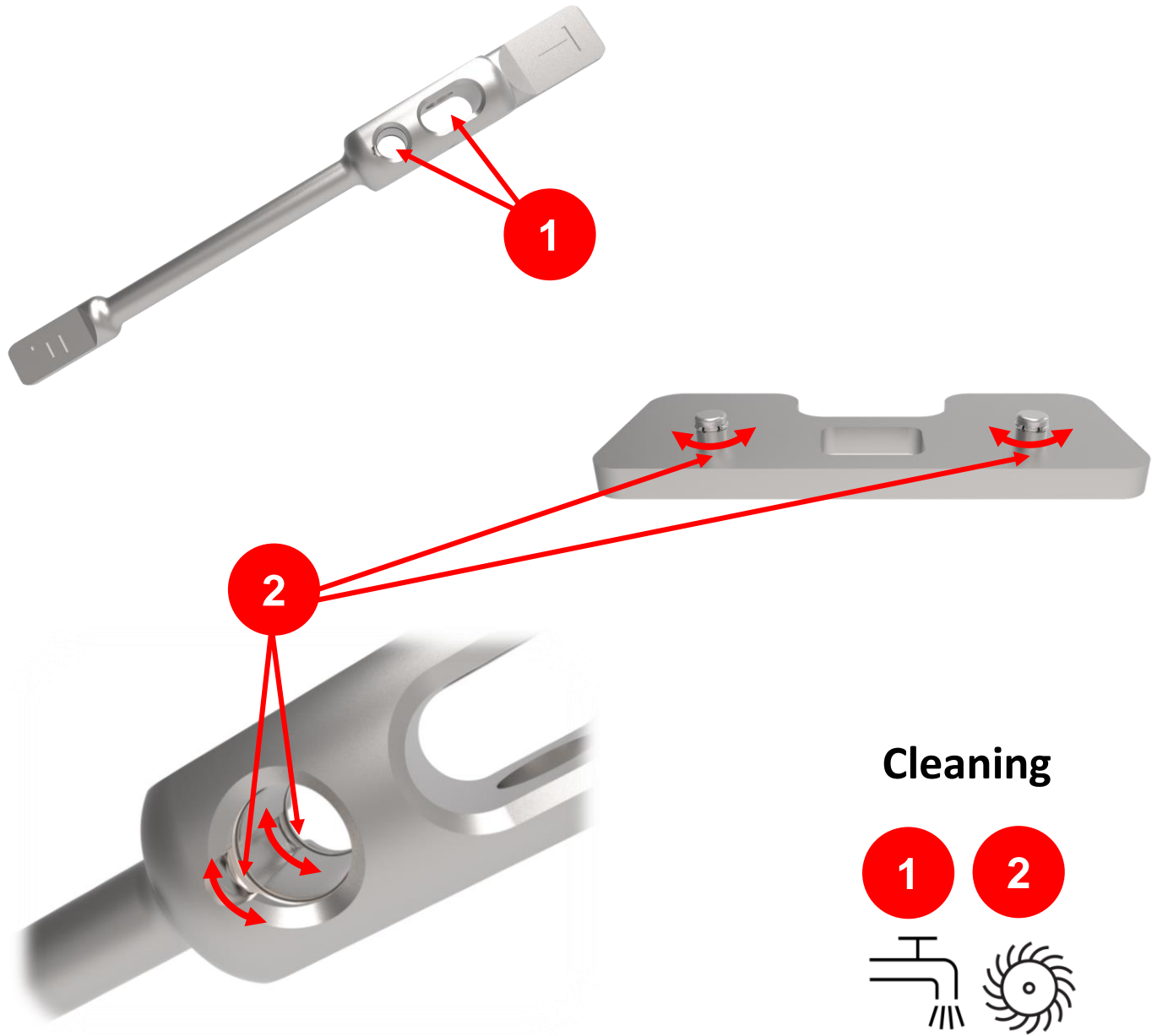


**United Orthopedic Corporation**  
No. 57, Park Ave 2, Science Park,  
Hsinchu, 300, Taiwan.  
TEL: +886-3-5773351  
FAX: +886-3-5777156  
E-MAIL: [service@unitedorthopedic.com](mailto:service@unitedorthopedic.com)



**mdi Europa GmbH**  
Langenhagener Straße 71  
30855 Langenhagen, Germany  
TEL: +49-511-3908 9530  
FAX: +49-511-3908 9539

# C-ring Feature

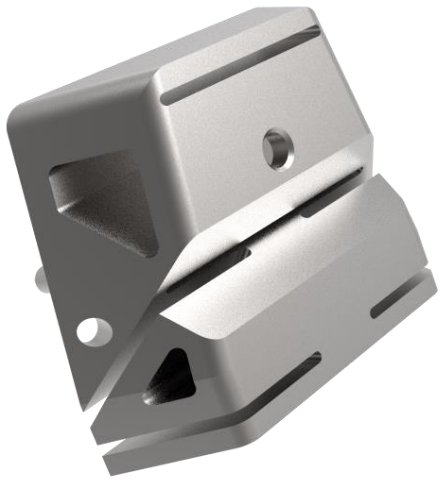
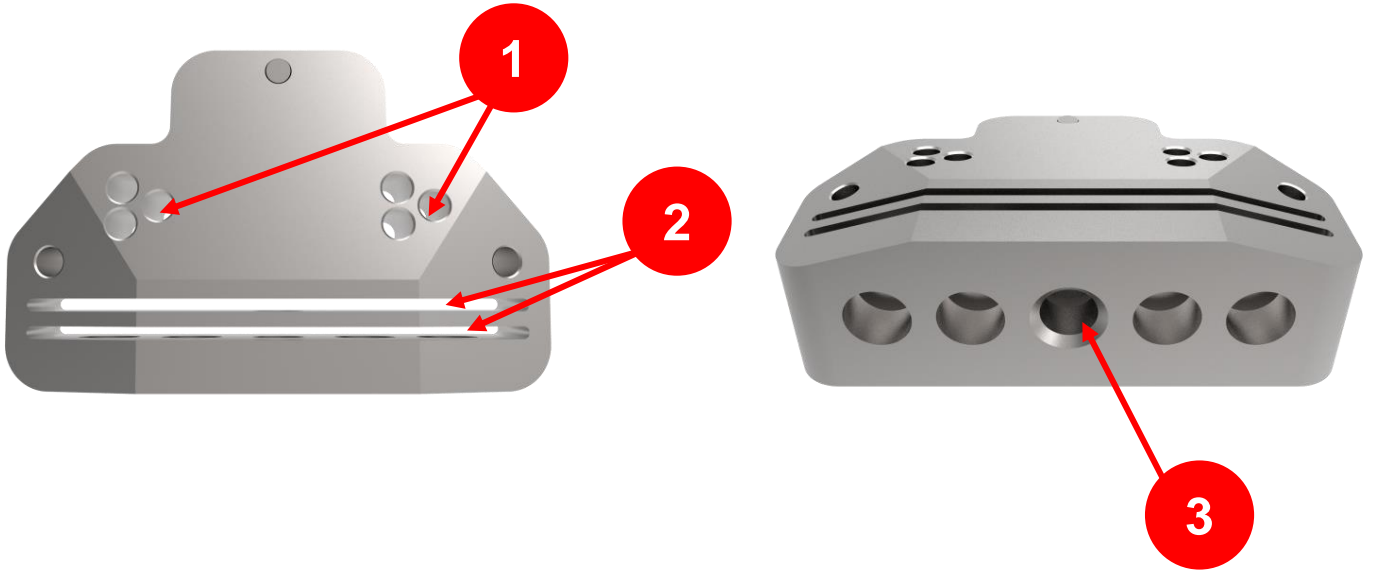


The illustration is show **Distal Femoral Plate** and **EM Alignment Tower**.

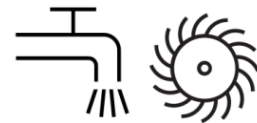


**Turn C-ring, but do not push hard.**

# Slot and Hole Feature



## Cleaning



The illustration is show **Distal Femoral Cutting Guide** and **Femoral A/P Chamfer Cutting Guide**.



**Flush and brush each hole and slot.**



# Slide Feature

## Spike and Tibial EM Guide Extractor

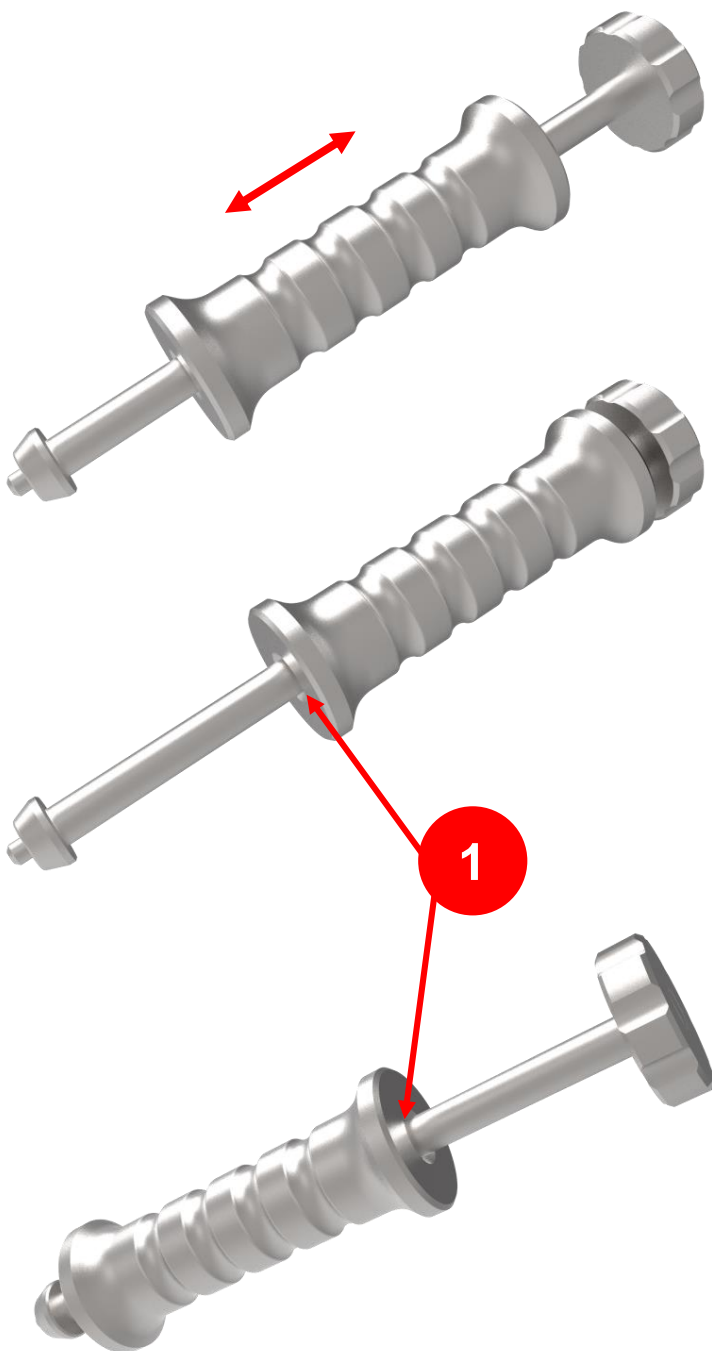
EX. 9303-5101

## Chamfer Guide Extractor

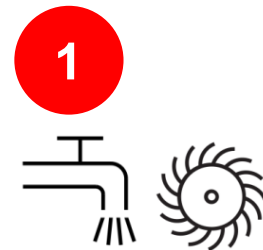
EX. 9303-5301

## Sliding Hammer

EX. 9303-5311

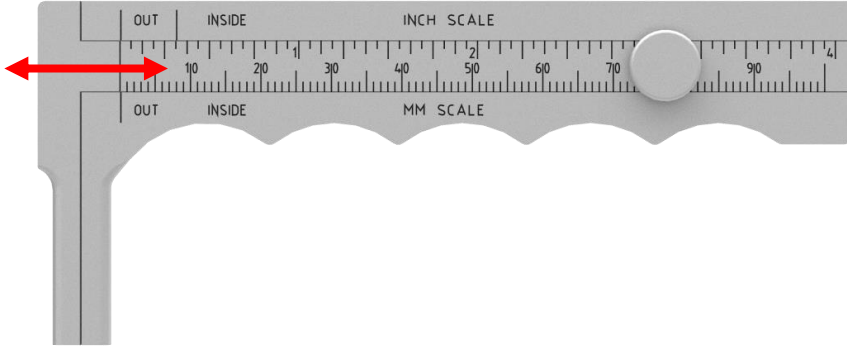


## Cleaning

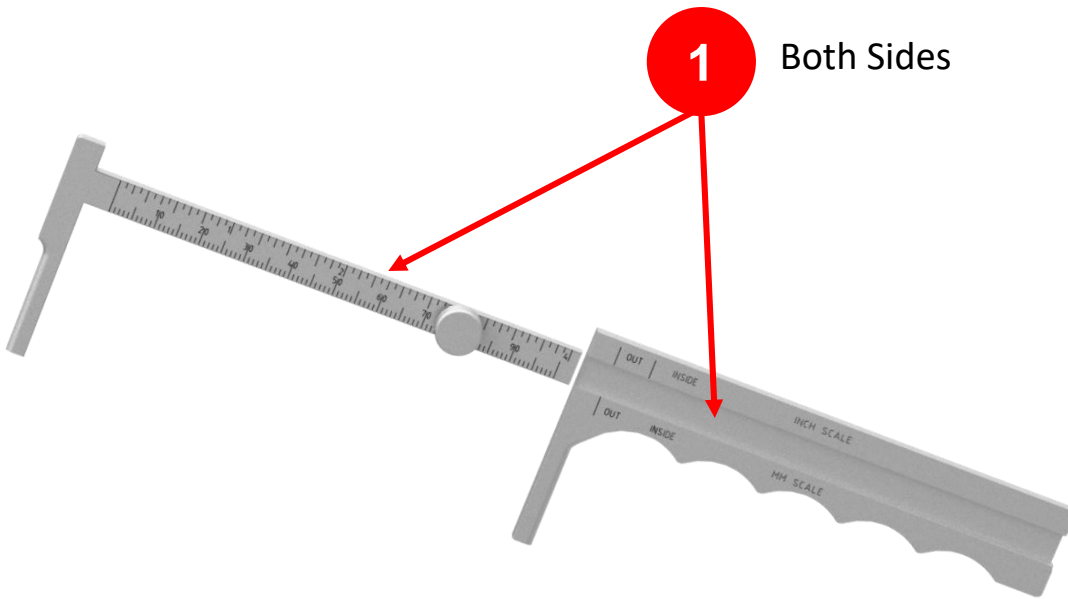
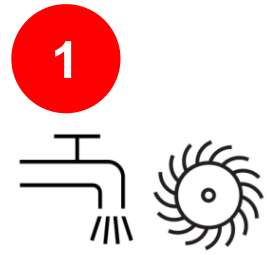


# Caliper

EX. 9401-7012

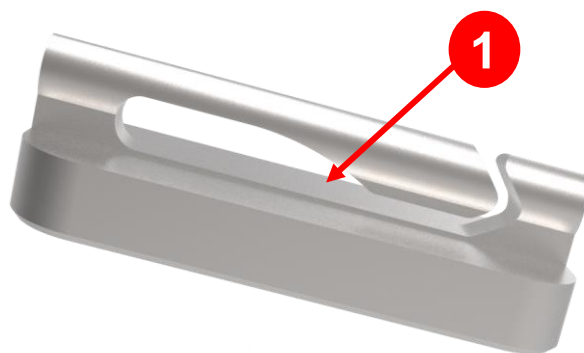


## Cleaning



# Distal Spacer

EX. 9303-5402 ~ 5408

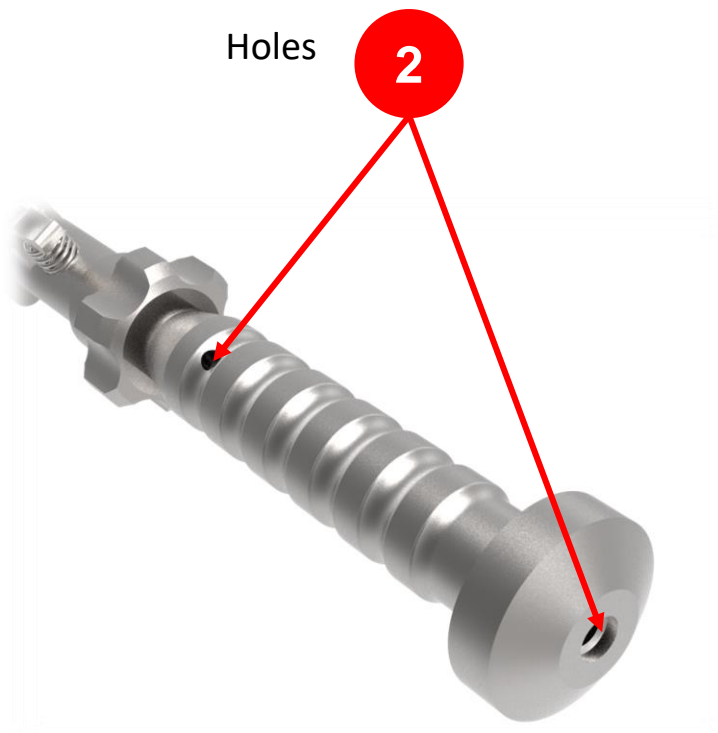
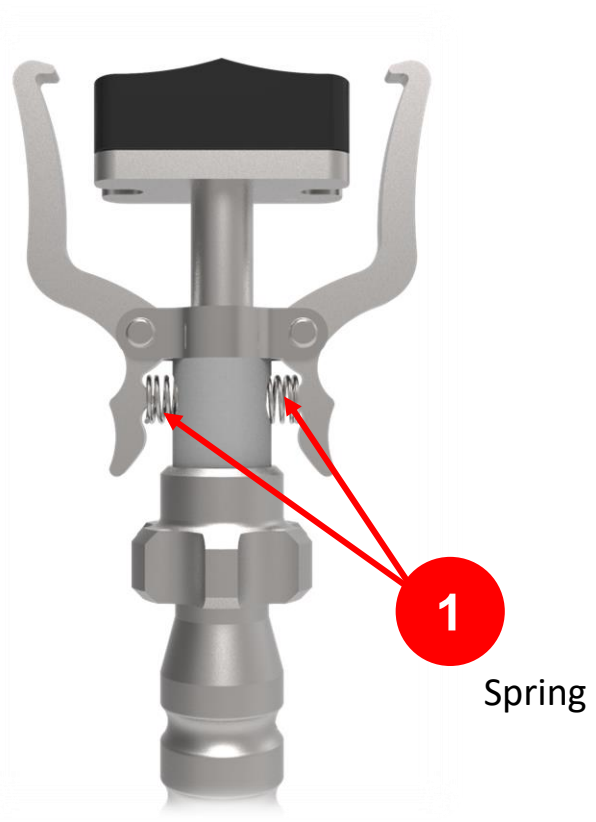
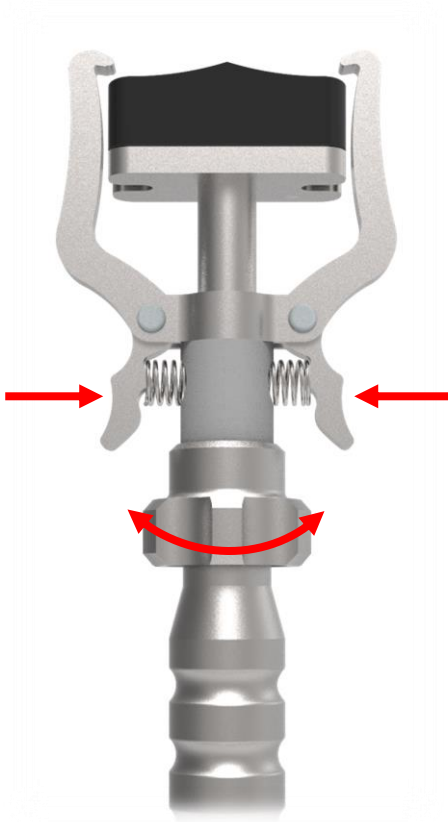


## Cleaning



# Femoral Driver

EX. 9303-5110 ~ 5110-RD

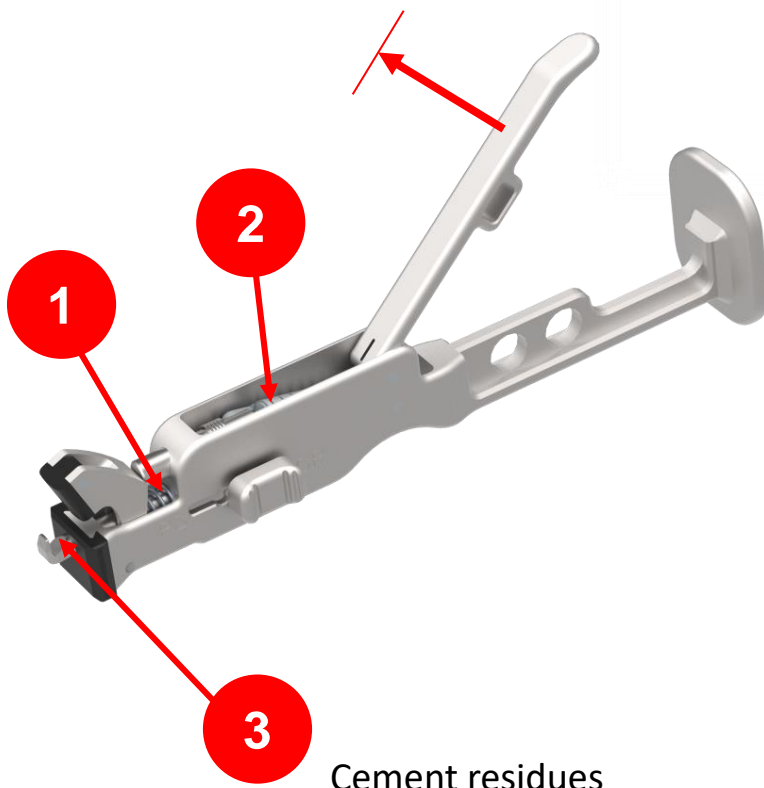
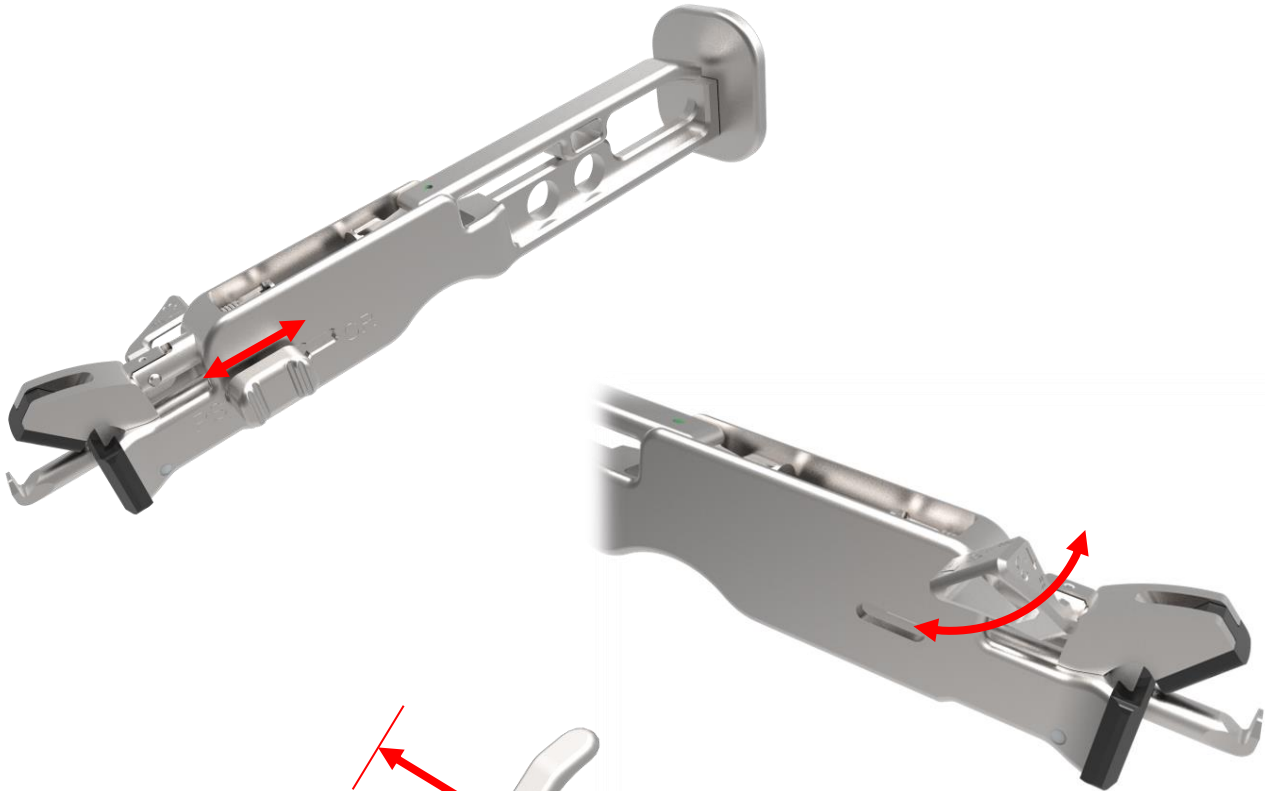


## Cleaning



# Femoral Driver

EX. 9304-5101



## Cleaning

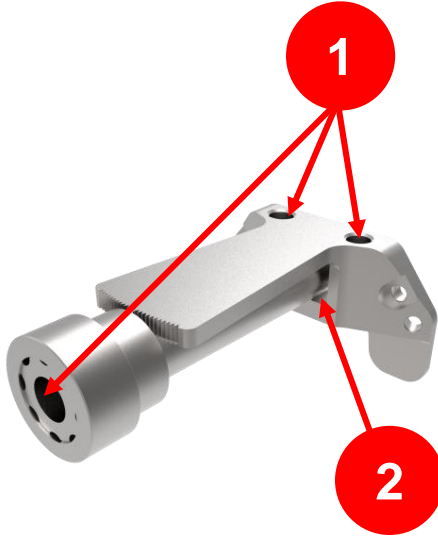
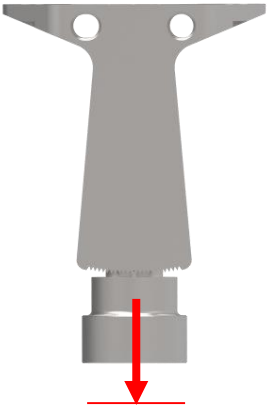


# Femoral IM Alignment Guide

EX. 9303-2105

EX. 9303-2111-RA

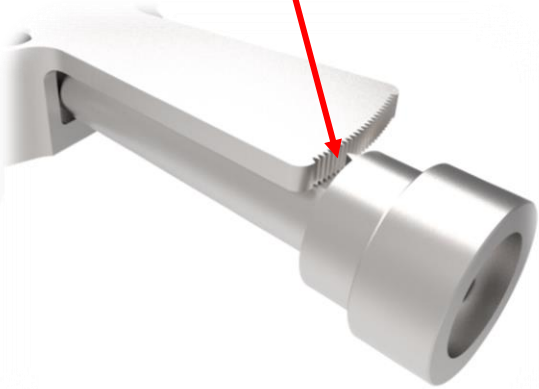
EX. 9303-2706



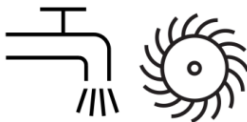
Beware the gap.



3 Jagged surface

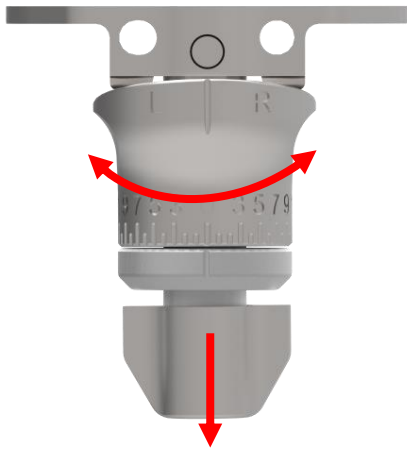


## Cleaning



# Femoral IM Alignment Guide

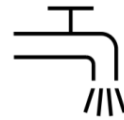
EX. 9304-2101



## Cleaning

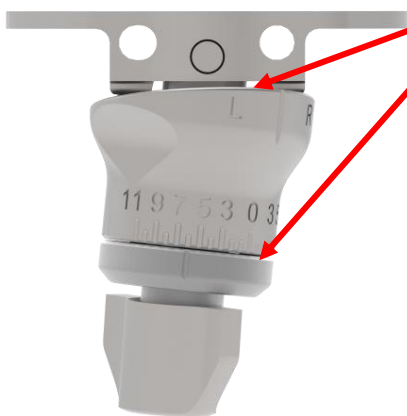
1

2



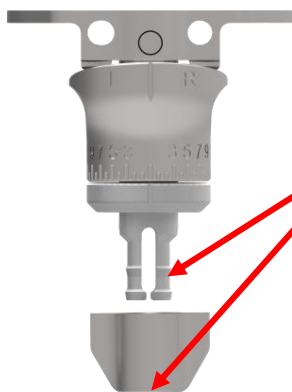
1

Beware the gap.



2

Assembly after cleaning

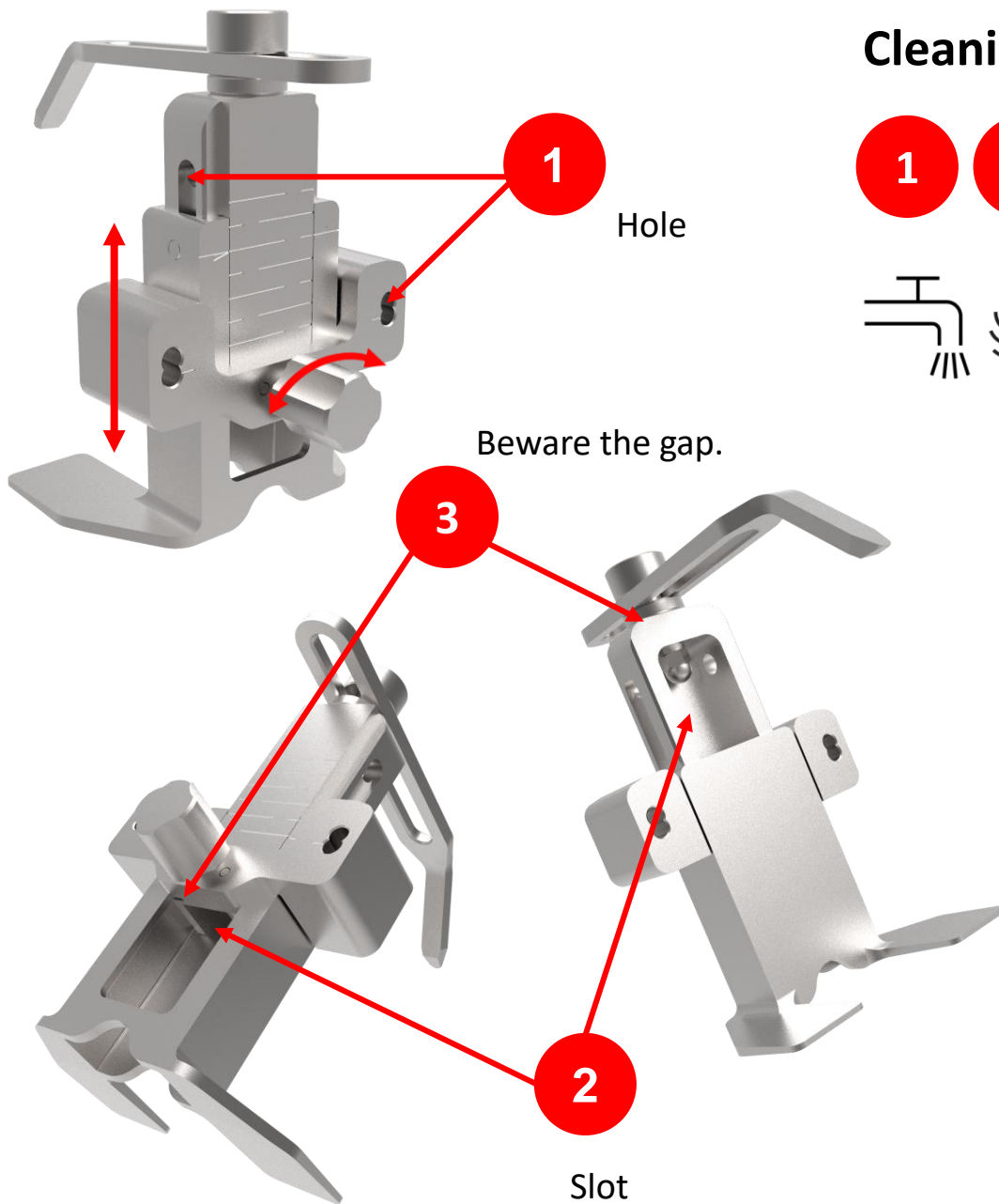


# Femoral Sizer, Anterior Reference

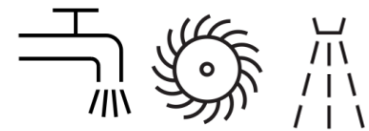
EX. 9301-2285

EX. 9301-7101

EX. 9303-7101 ~ 7101-RE



## Cleaning

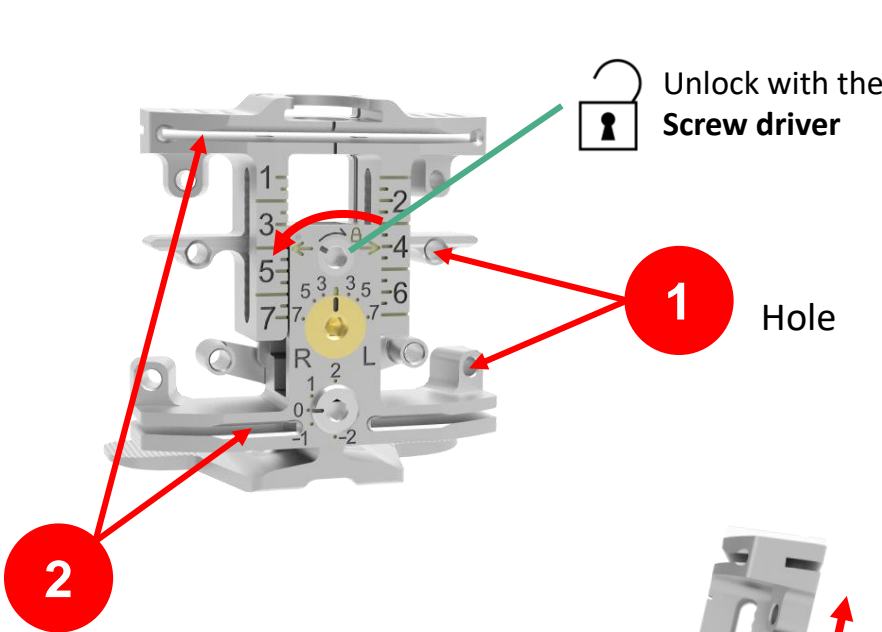


 Flush and spray small gaps.

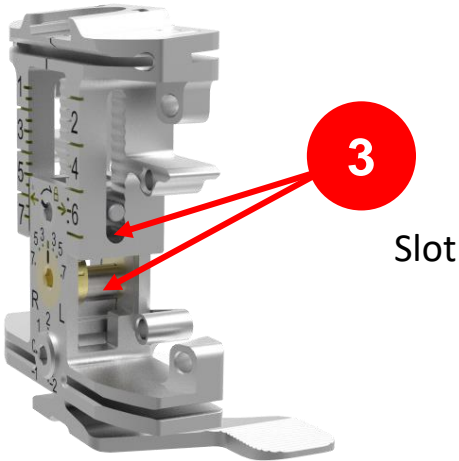


# Femoral Sizer-A/P Resection Guide

EX. 9304-7101



9304-1102



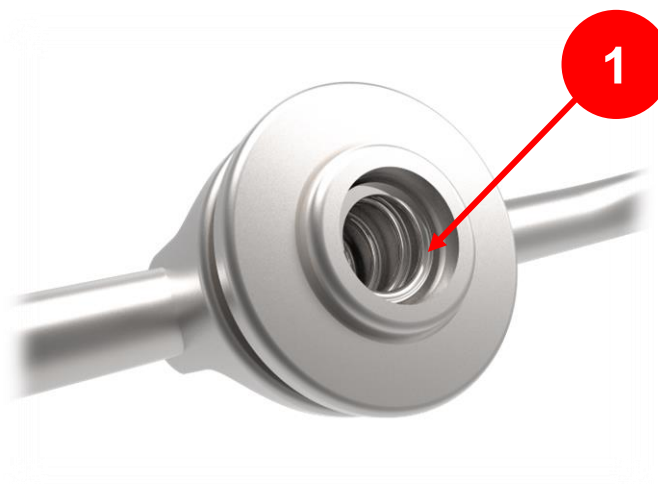
## Cleaning



 Be careful about flush and spray small gaps.

# Femoral Stylus

EX. 9304-7102

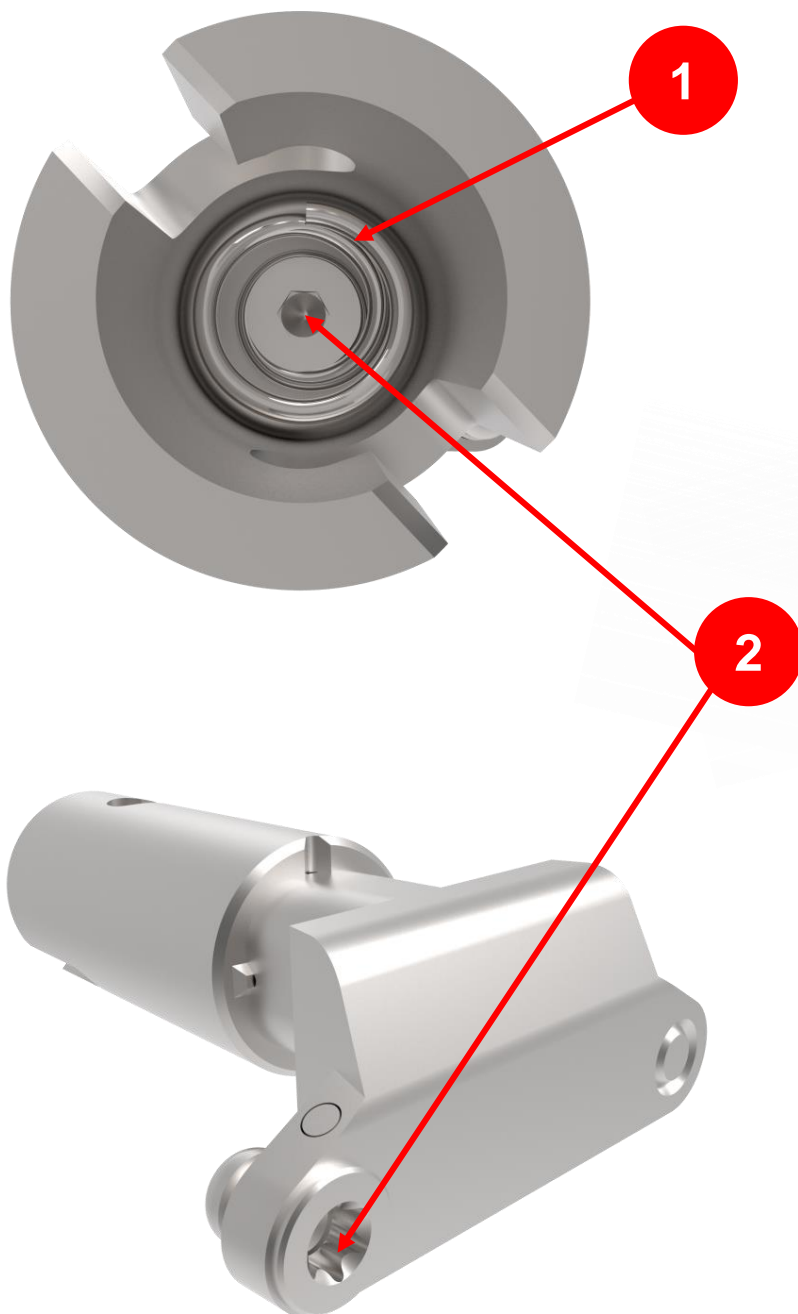


## Cleaning

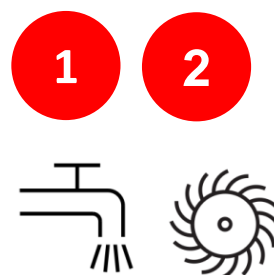


# Femoral Valgus Adaptor

EX. 9303-5333-RB ~ 5334-RB

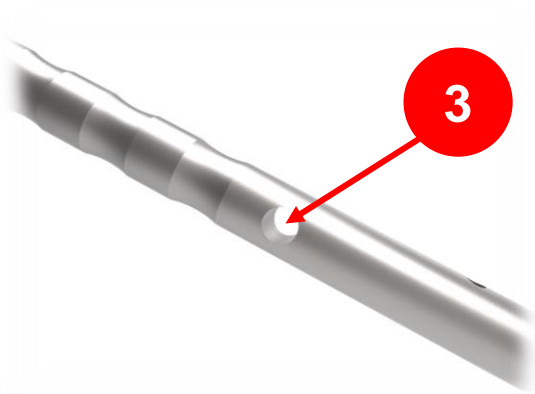
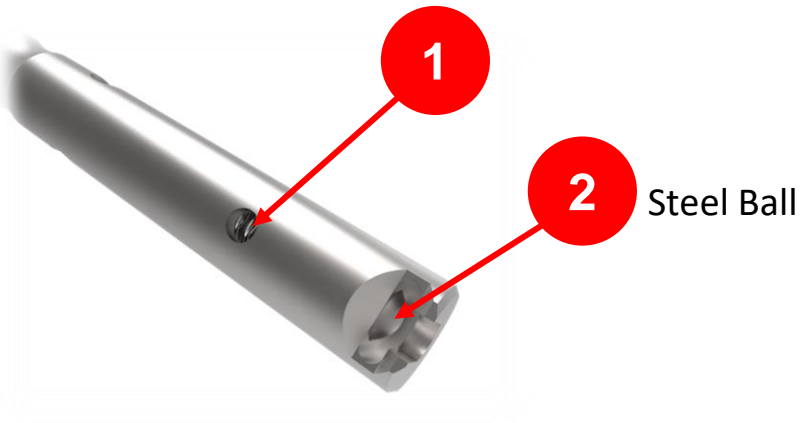


## Cleaning

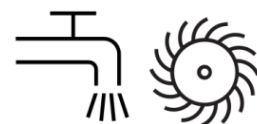


# Head Pin Impactor

EX. 9304-5107

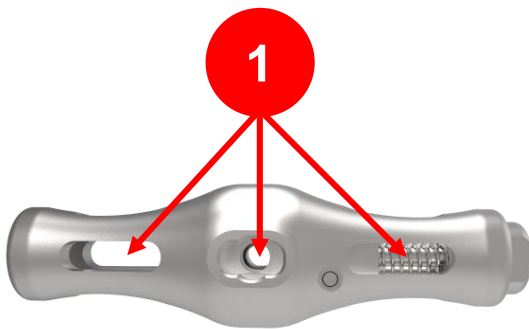


## Cleaning

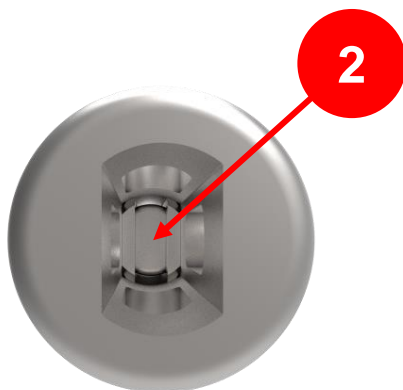
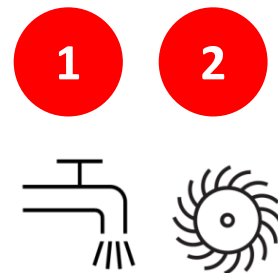


# IM Rod Handle

EX. 9304-1101



## Cleaning

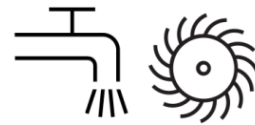


# MB Tibial Insert Trial Adaptor

EX. 9403-5105

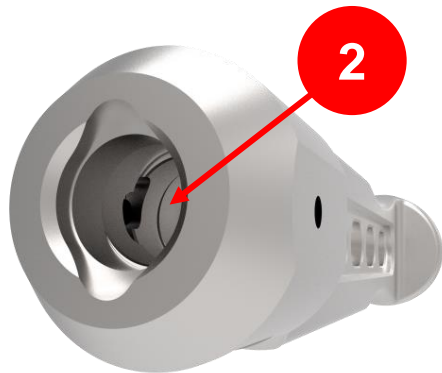
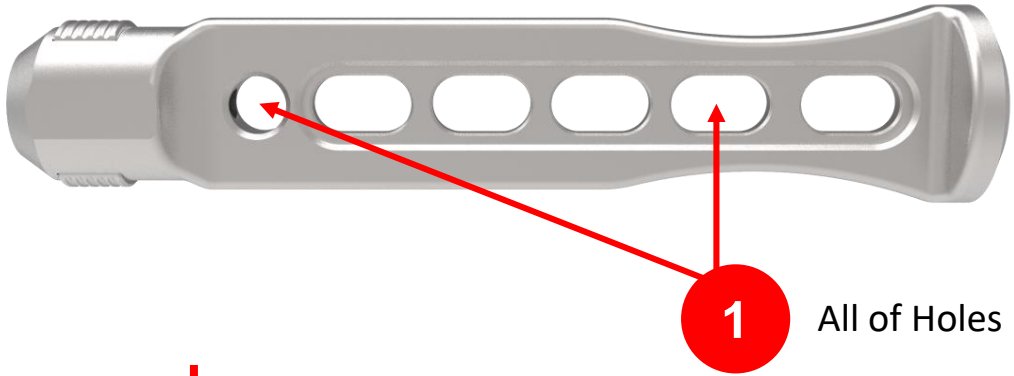


## Cleaning

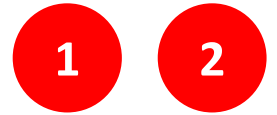


# Modular Handle

EX. 9304-1103



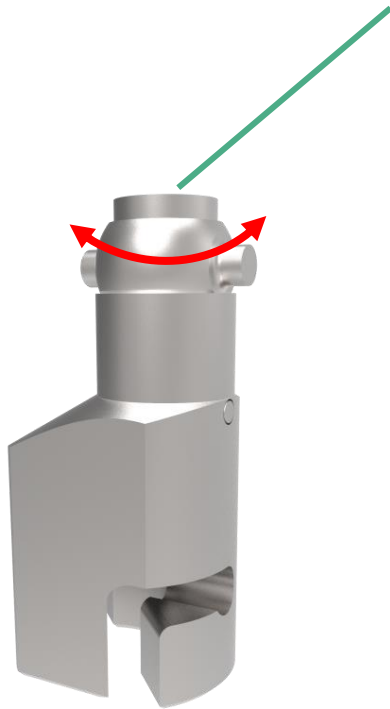
## Cleaning



# Offset Adaptor Trial

EX. 2903-2030

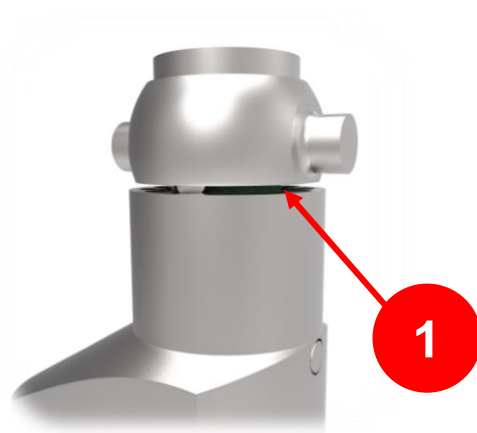
Utilize **Screw Driver Adaptor** to loosen and tighten.



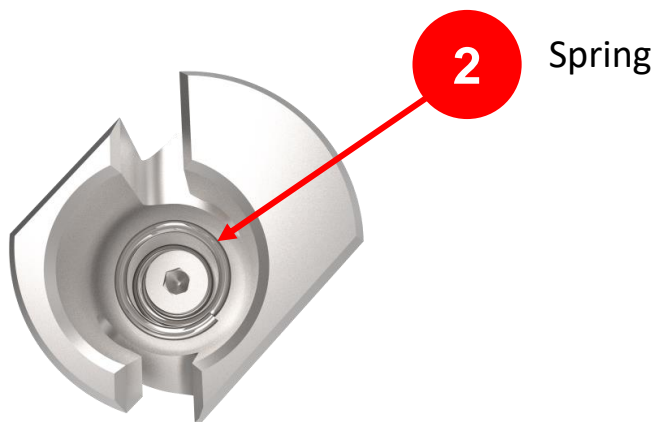
9403-5331-RA



9303-5329



Beware the gap.



Spring

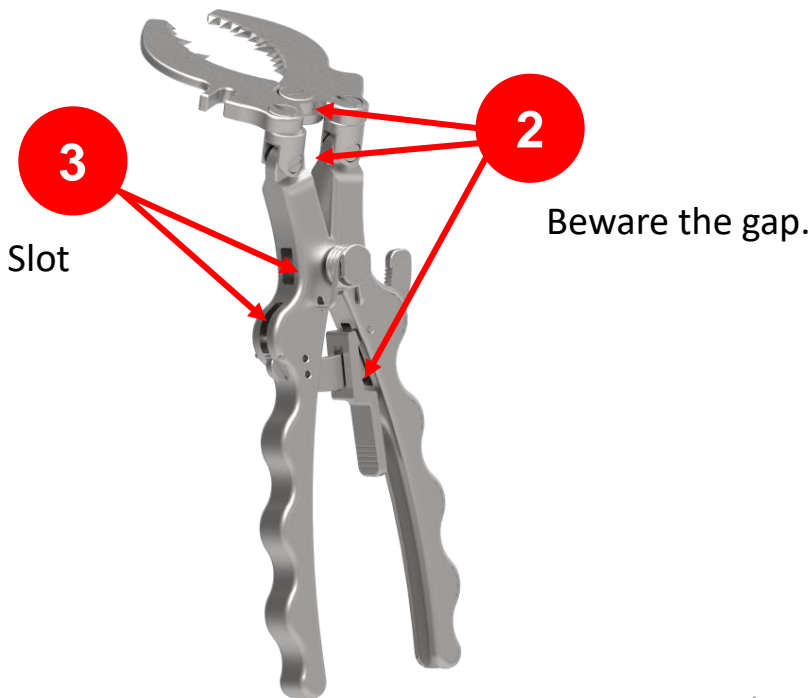
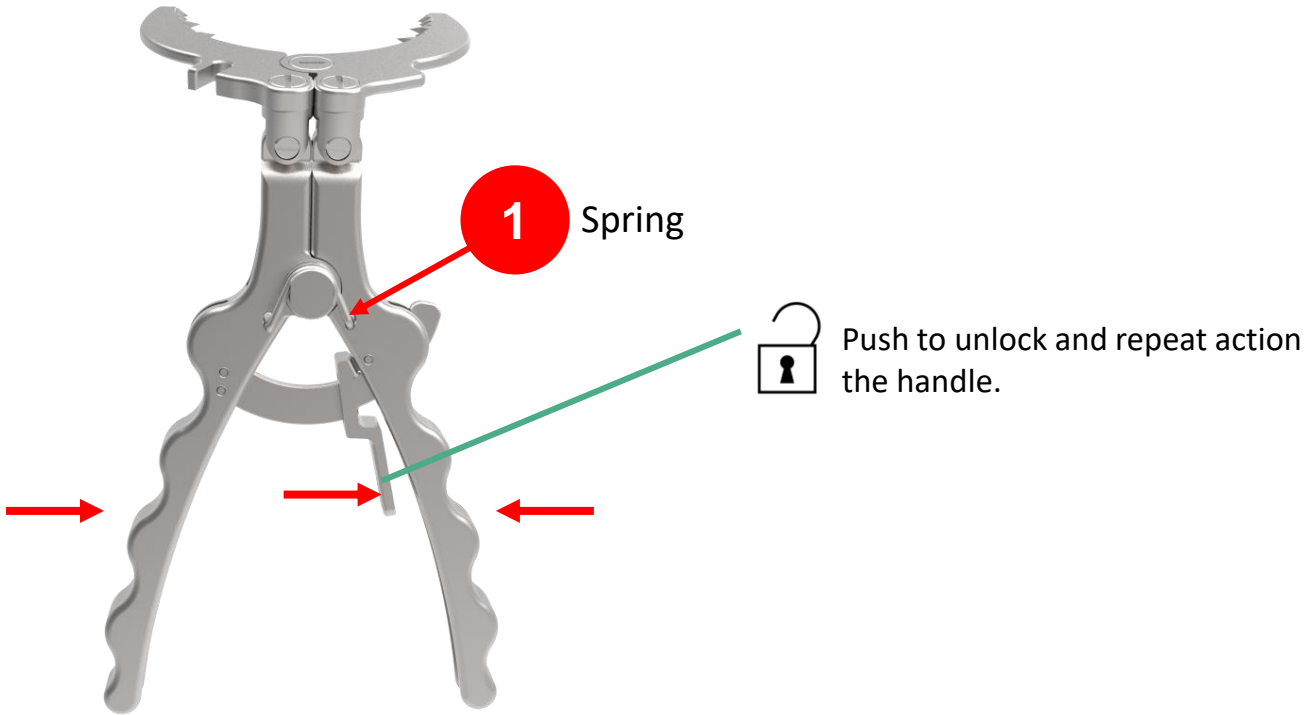
## Cleaning



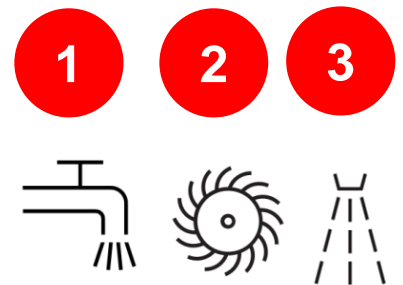


# On Set Patellar Resection Guide

EX. 9404-2301  
EX. 9404-2301-RA



## Cleaning



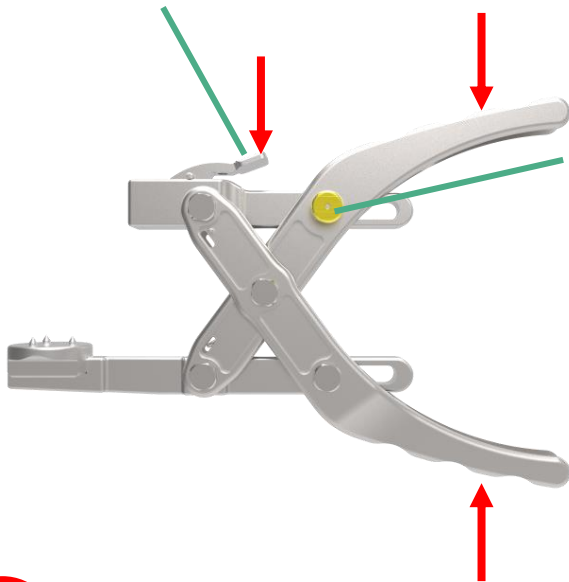
! Flush and spray small gaps.

# Patella Clamp

EX. 9404-5305



Push to disassemble the **front part**.



Push to unlock and repeat action the handle.

**1**

Hole

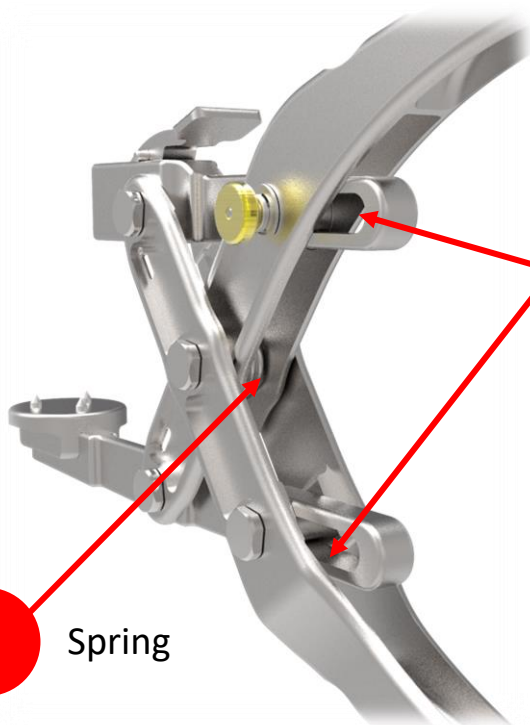


## Cleaning

**1**

**2**

**3**



**3**

Beware the gap.

**2**

Spring

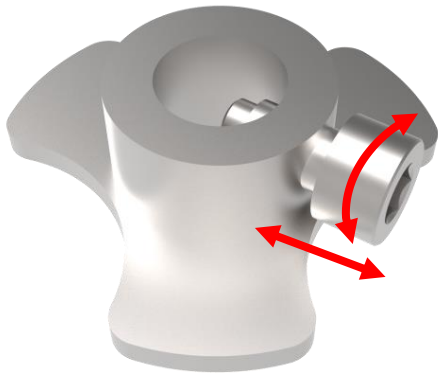


Flush and spray small gaps.

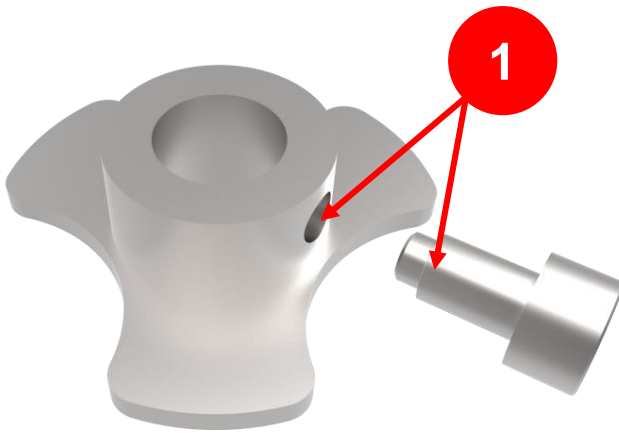
# Patellar Reamer Stopper

EX. 9401-4205

## Disassembly & Assembly



## Cleaning

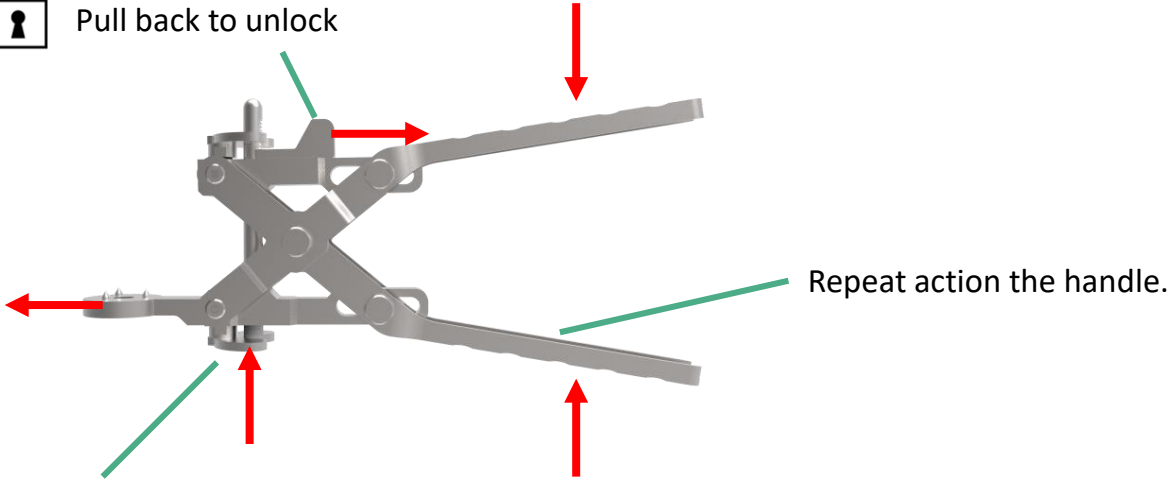


# Patellar Resection Clamp

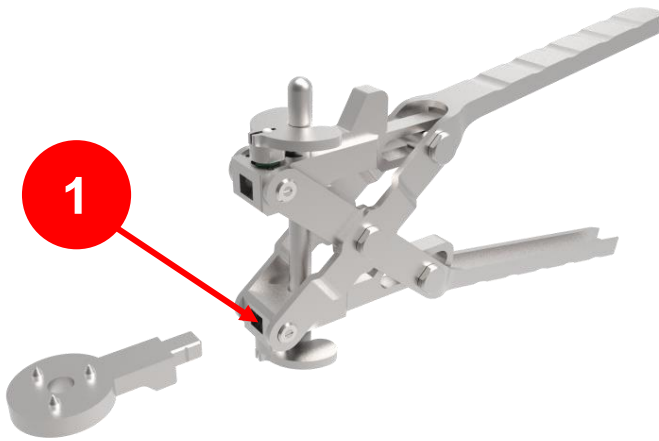
EX. 9401-5302-RB



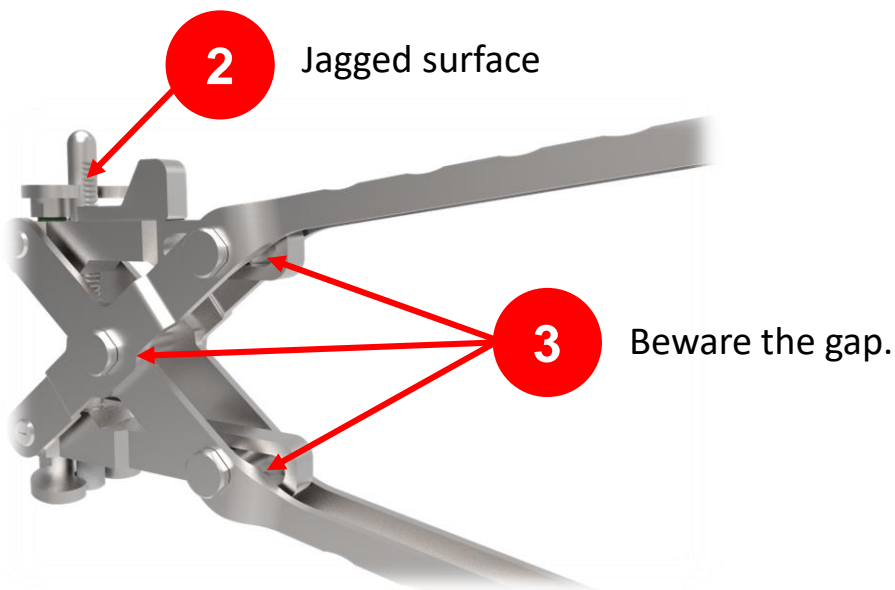
Pull back to unlock



Push to unlock the front part



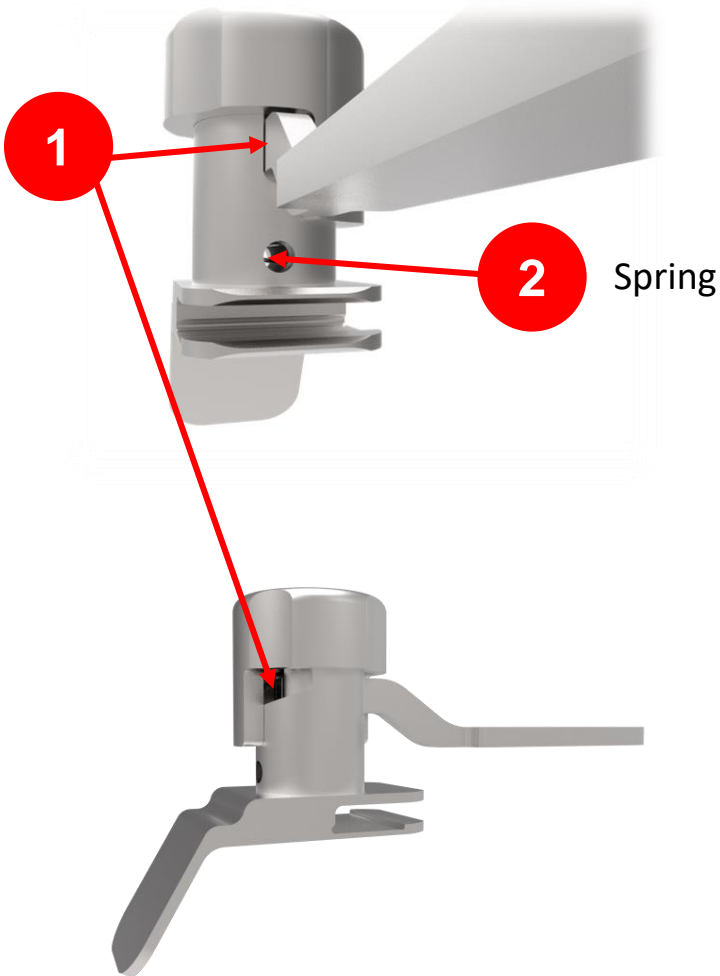
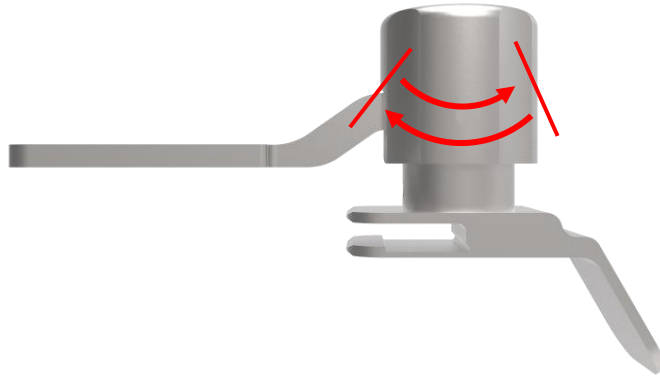
## Cleaning



Flush and spray small gaps.

# Patellar Stylus

EX. 9404-7301

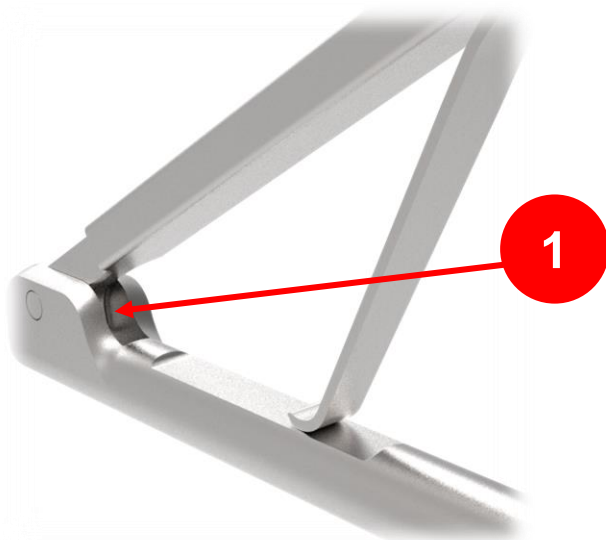


## Cleaning

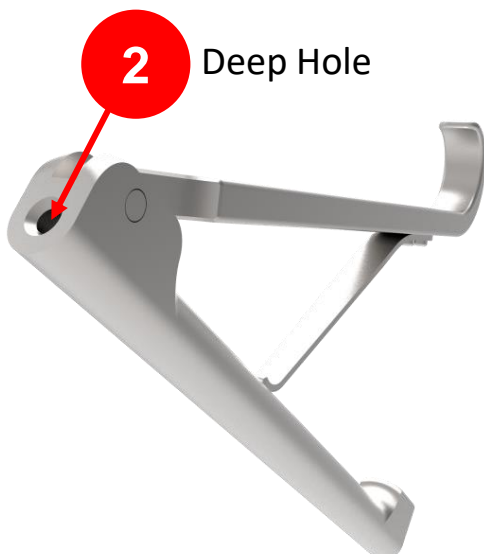
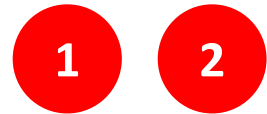


# Pin Extractor

EX. 9303-5002

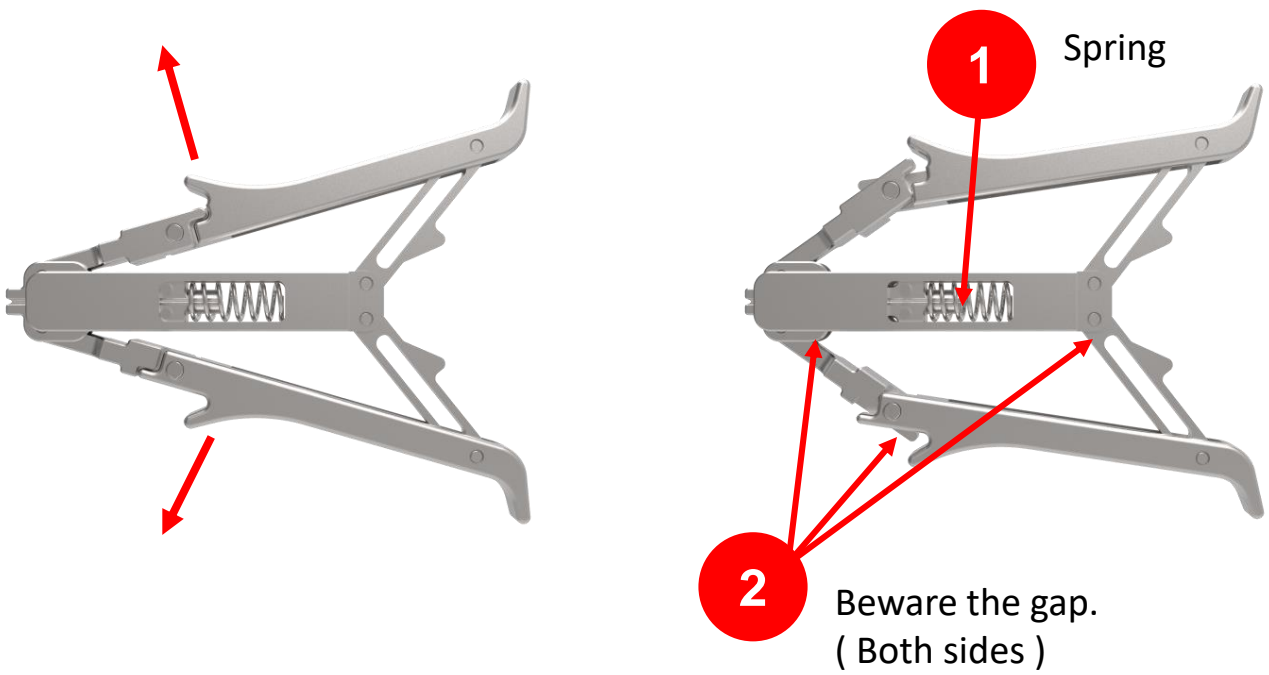


## Cleaning



# Pin Extractor

EX. 9304-5106



## Cleaning



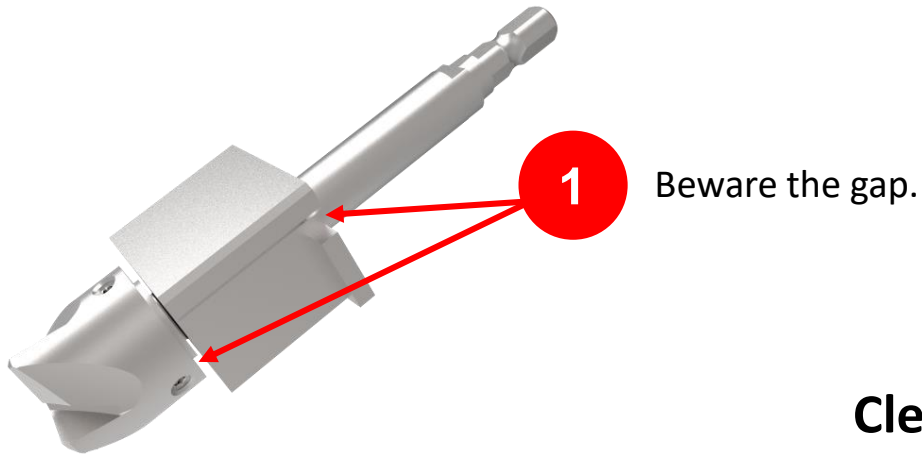
Flush and spray small gaps.

# PS Reamer

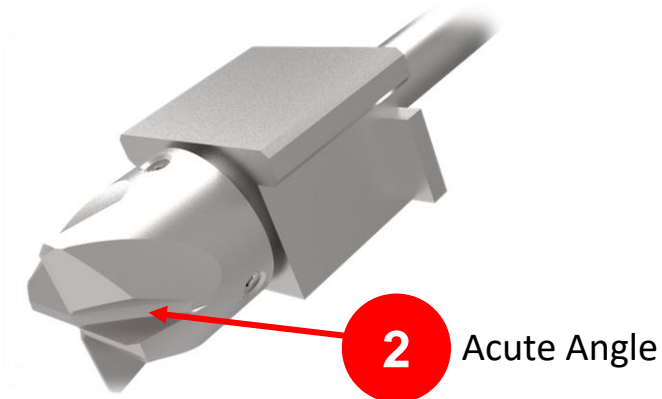
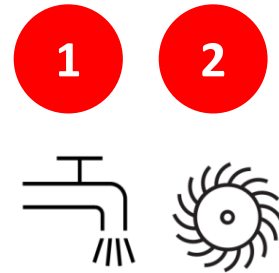
EX. 9304-4101

EX. 9303-4101-RD

EX. 9303-4101-RF



## Cleaning

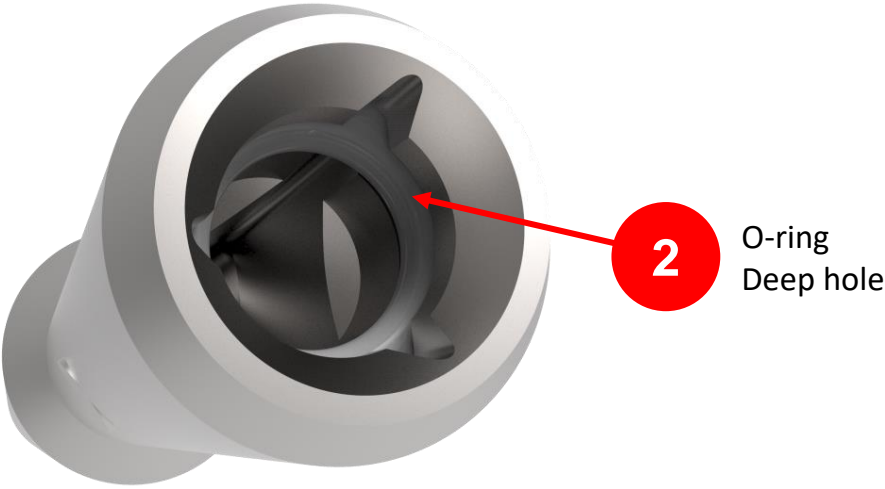
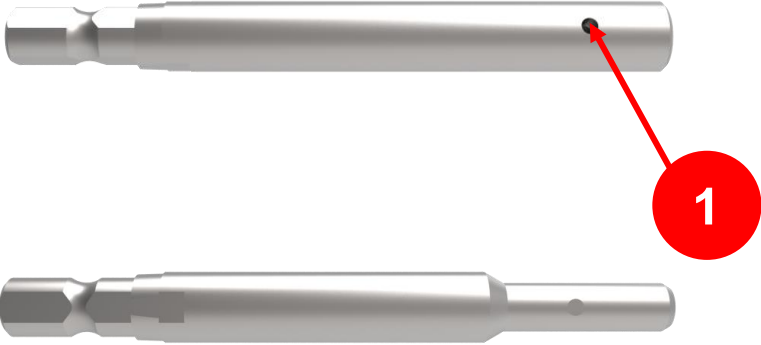




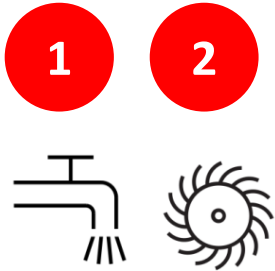
# Quick Pin Driver

EX. 9303-5001-RA

EX. 9304-5105

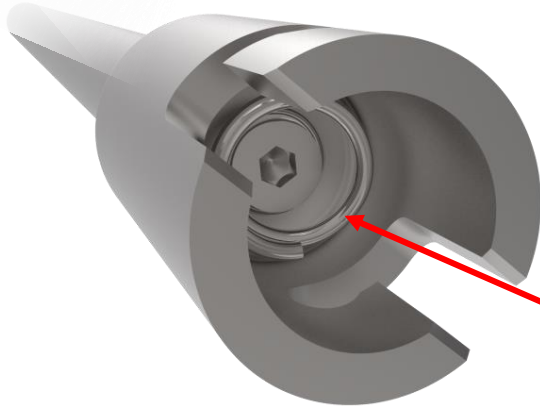


## Cleaning



# Stem Trial Driver

EX. 9303-1101



1

Spring

## Cleaning

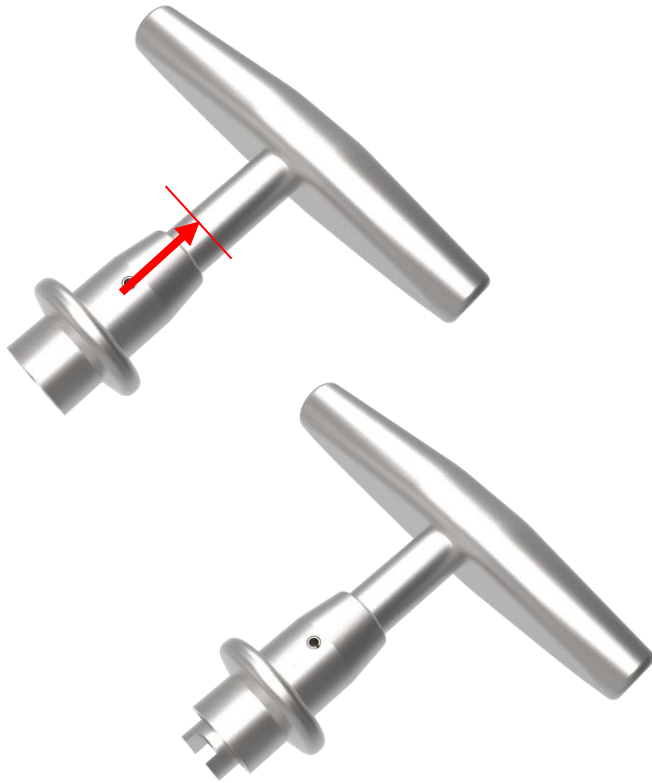
1



# T-handle Assembly

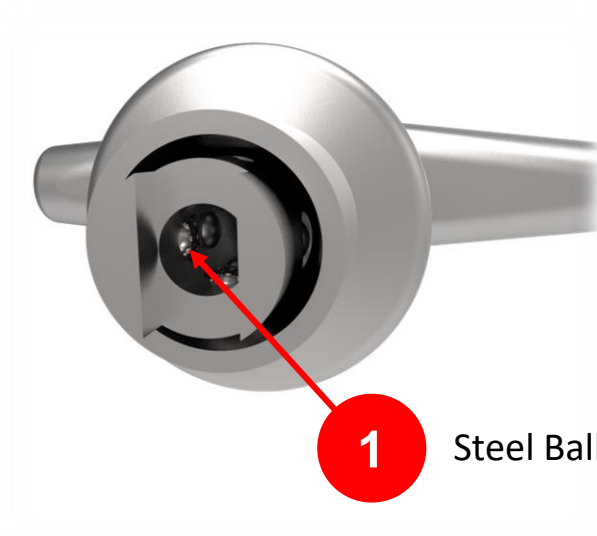
EX. 9301-1100

EX. 9303-1300



## Cleaning

1



1

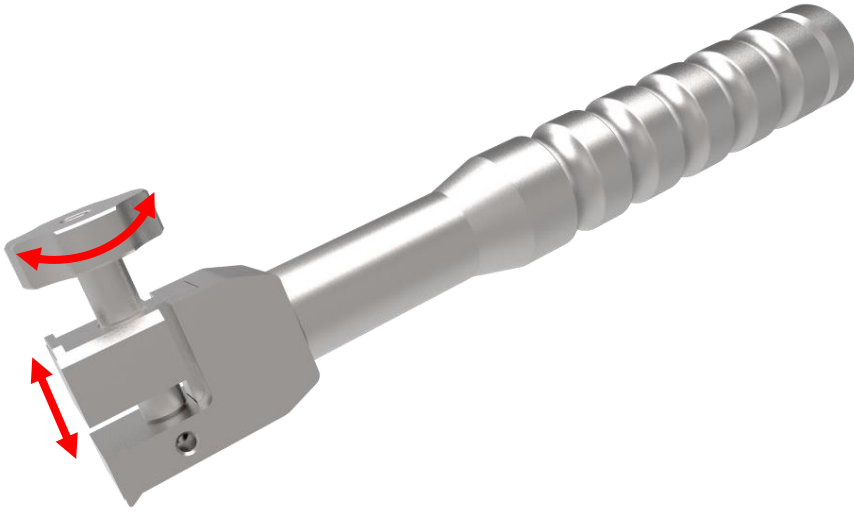
Steel Ball and Hole



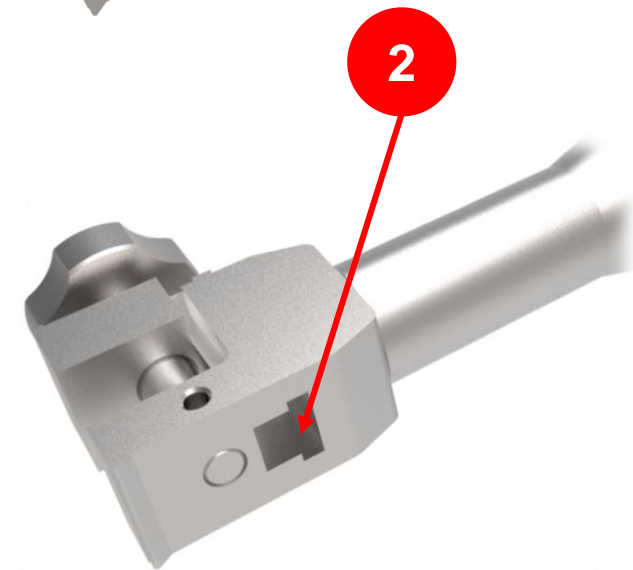
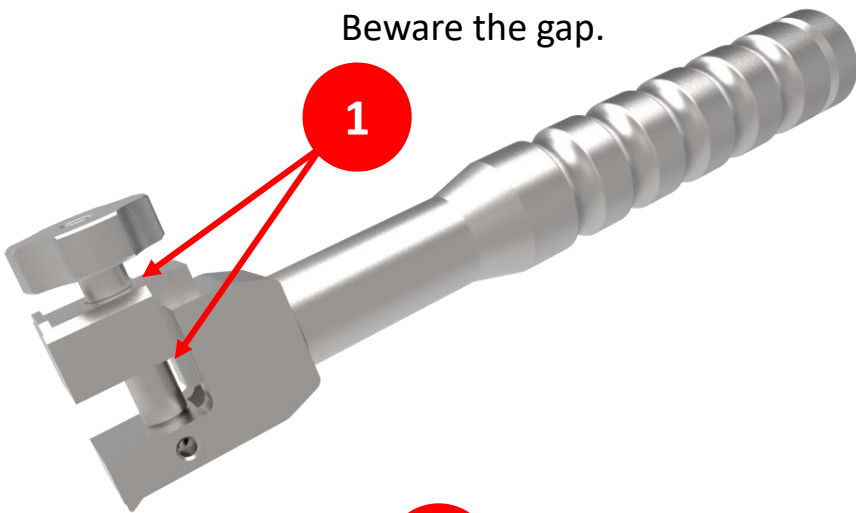
Flush and spray small gaps.

# Tibial Baseplate Driver

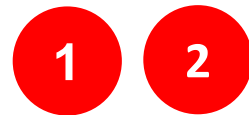
EX. 9403-5101  
EX. 9403-5101-RC



Beware the gap.



## Cleaning



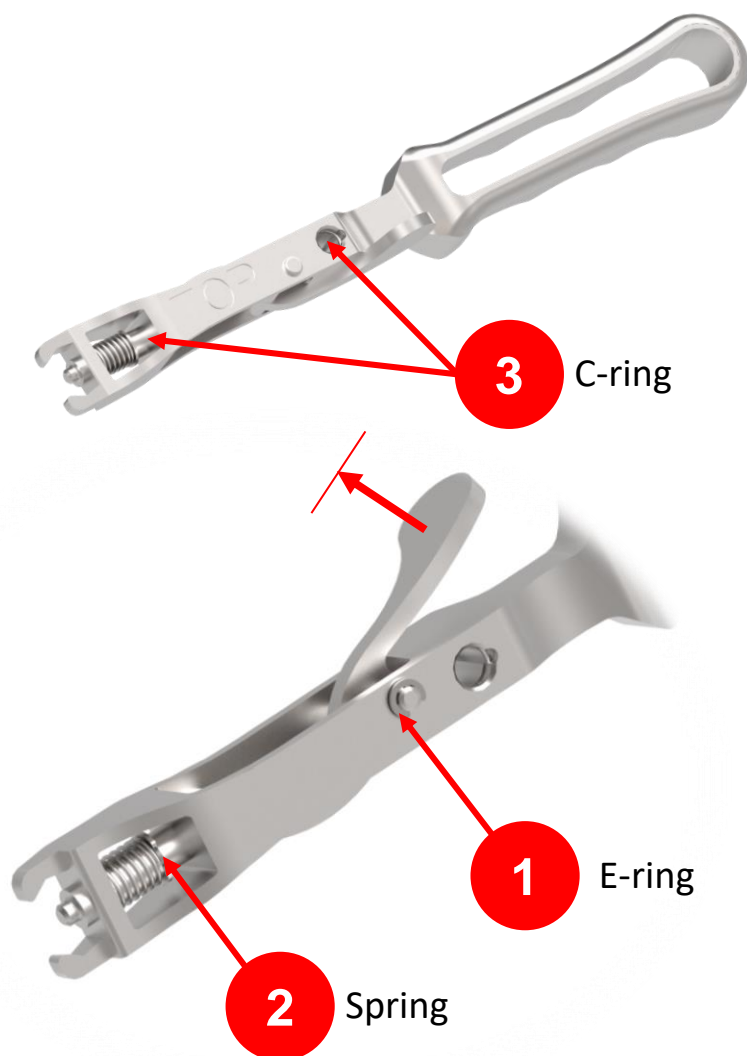
# Tibial Baseplate Trial Handle

EX. 9403-1202

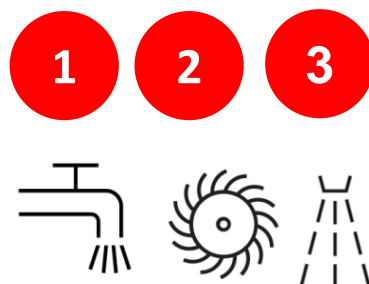
EX. 9404-1102

## Tibial Sizing Template Handle

EX. 9403-1203



### Cleaning



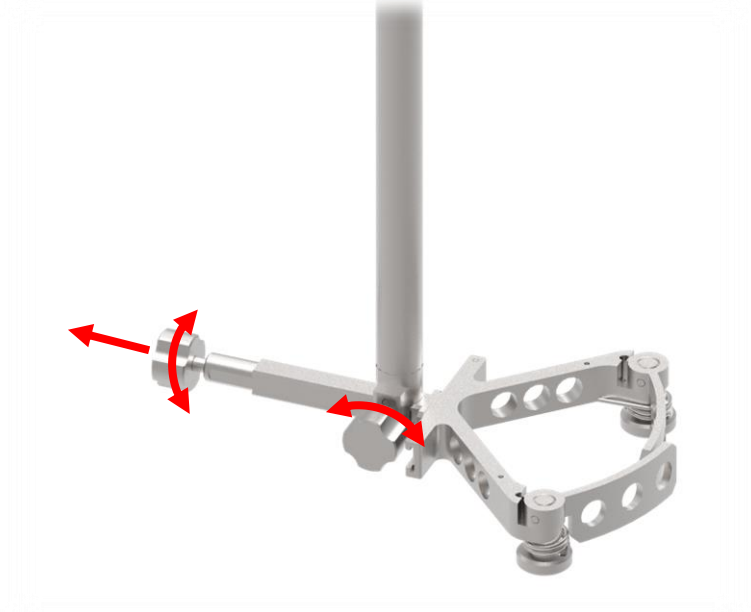
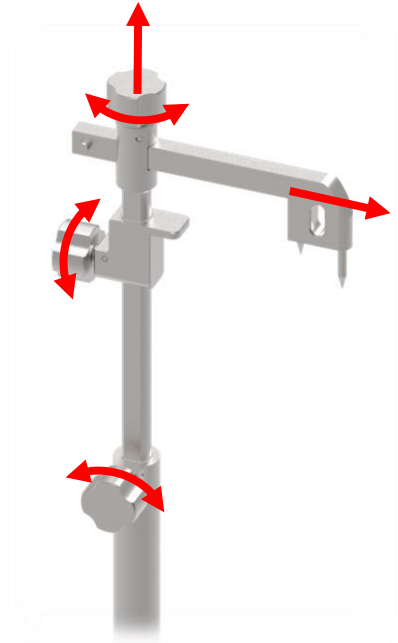
**Tibial sizing template handle** need to specially clean is same with **Tibial baseplate Trial Handle**.



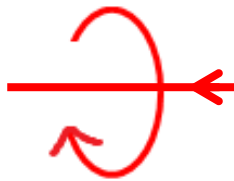
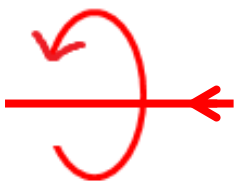
**Flush and spray small gaps.**

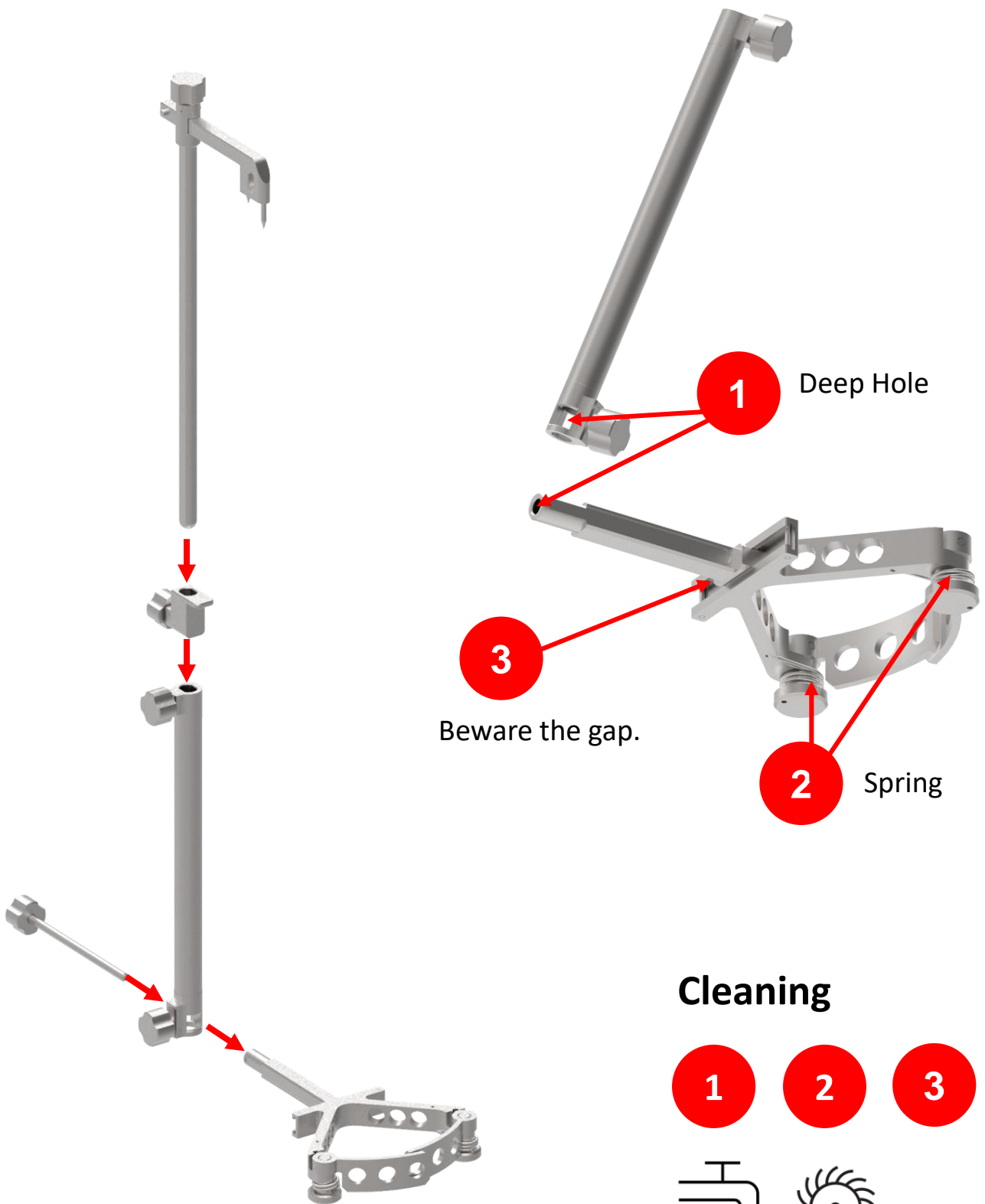
# Tibial EM Alignment Guide

EX. 9403-2104-RA



**Disassembly**   **Assembly**



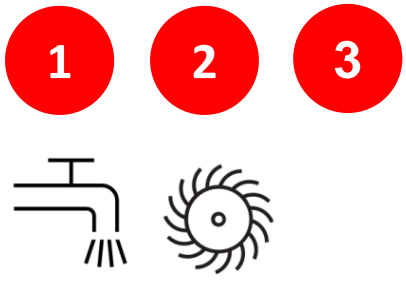


**1** Deep Hole

**3** Beware the gap.

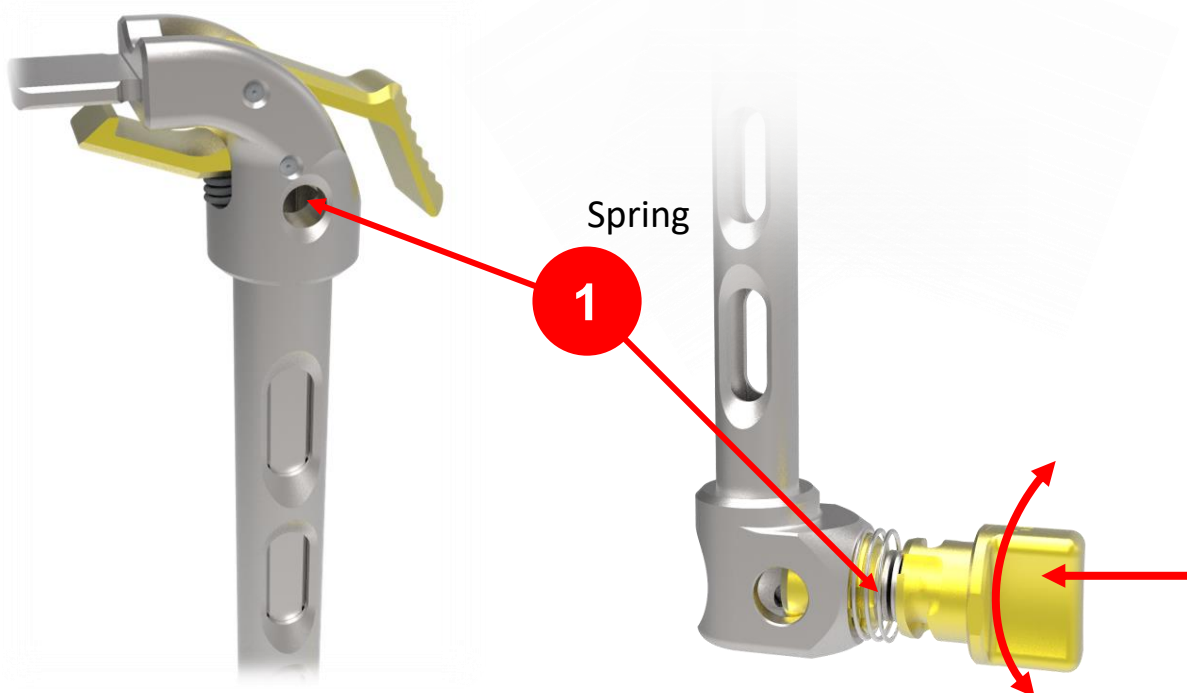
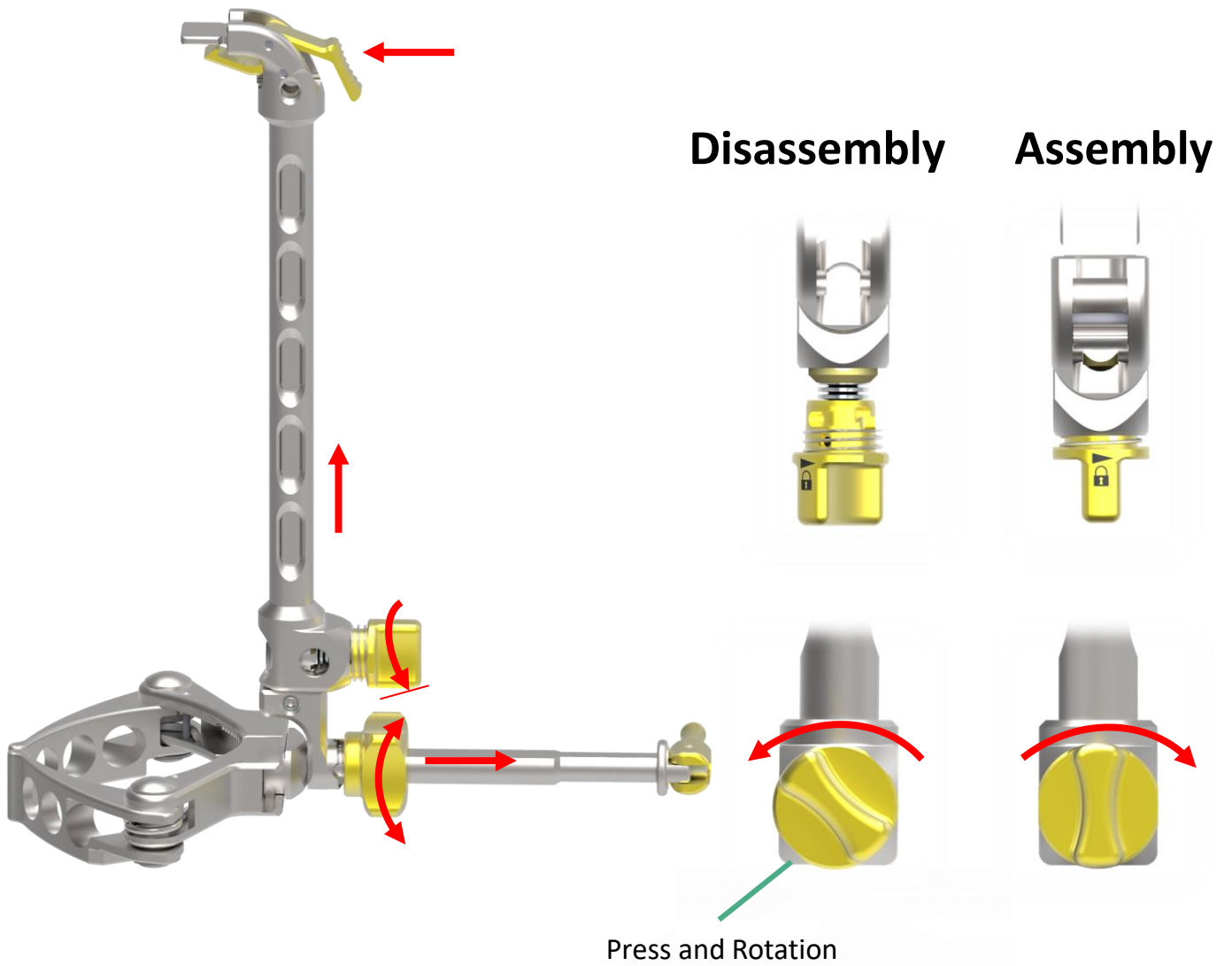
**2** Spring

**Cleaning**



# Tibial EM Alignment Guide

EX. 9404-2101

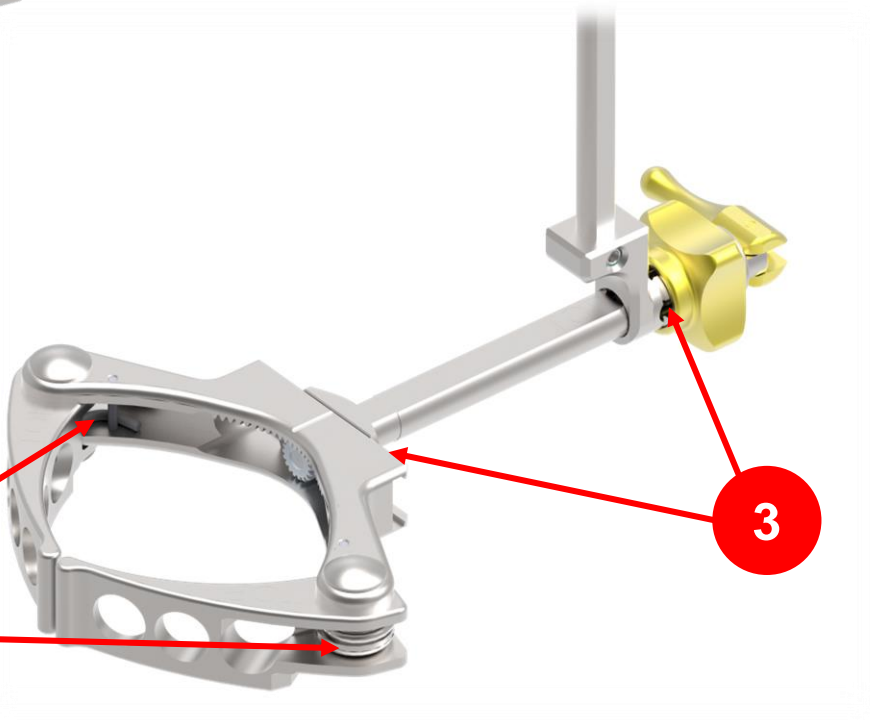
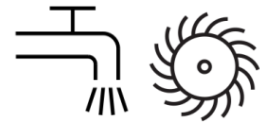






## Cleaning

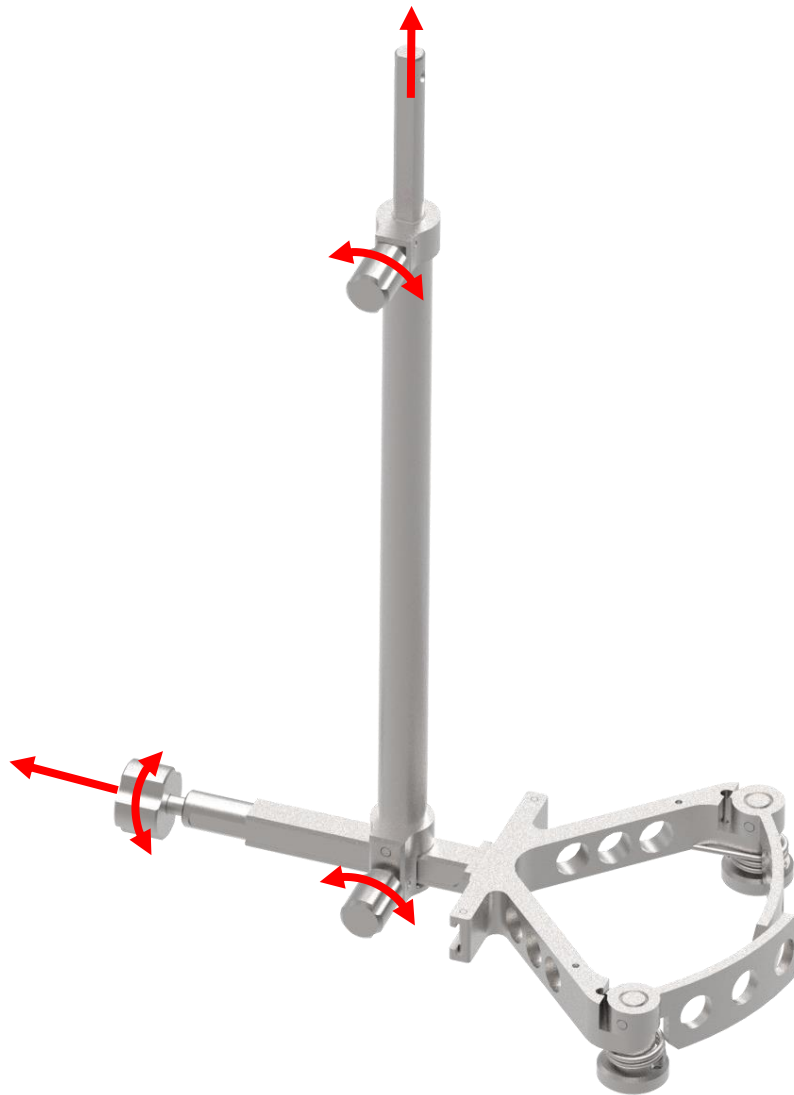
- 1
- 2
- 3



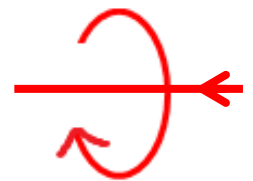
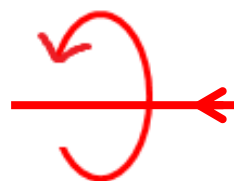
Spring

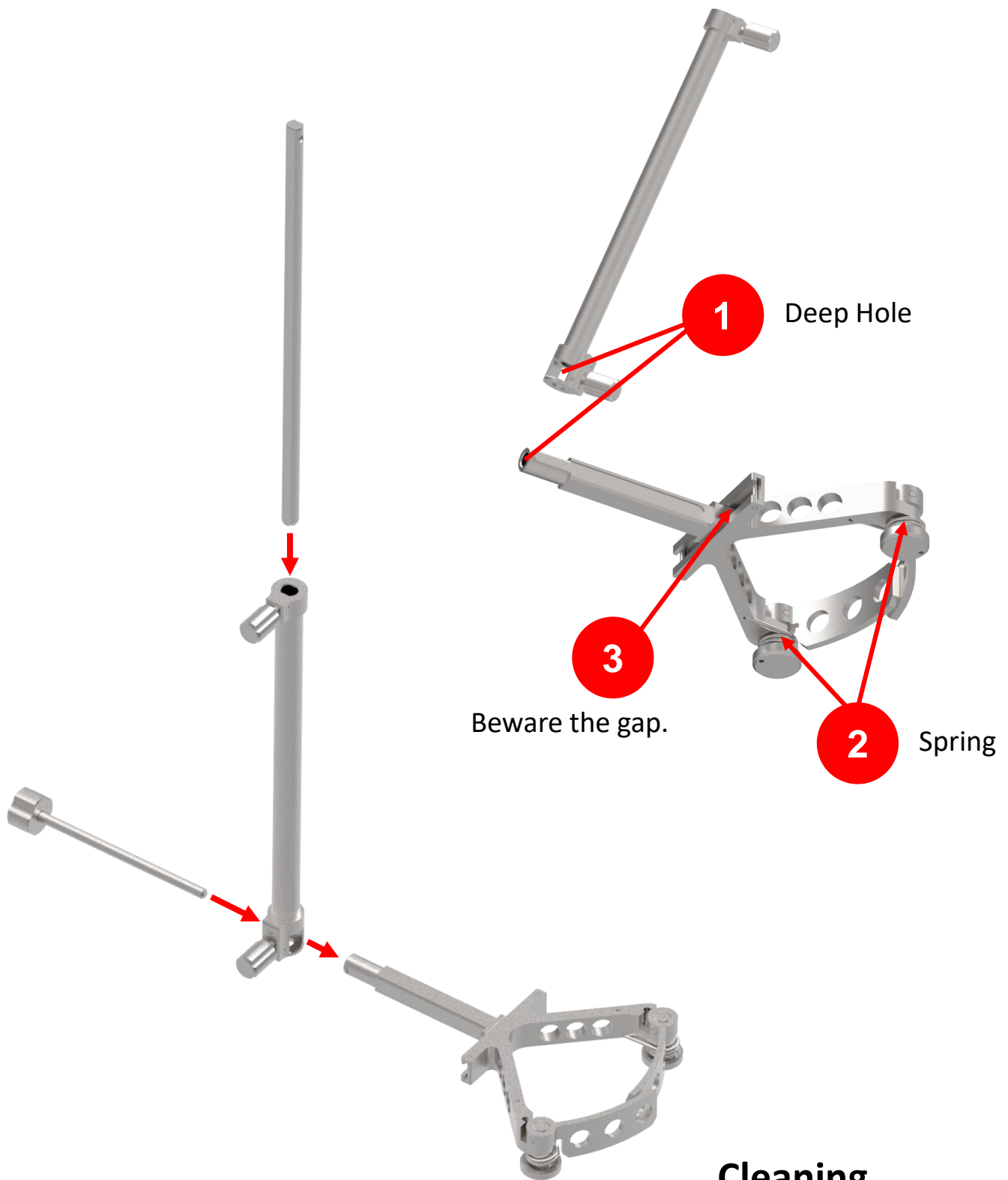
# Tibial EM Alignment Guide

EX. 9403-2108



**Disassembly**    **Assembly**





## Cleaning

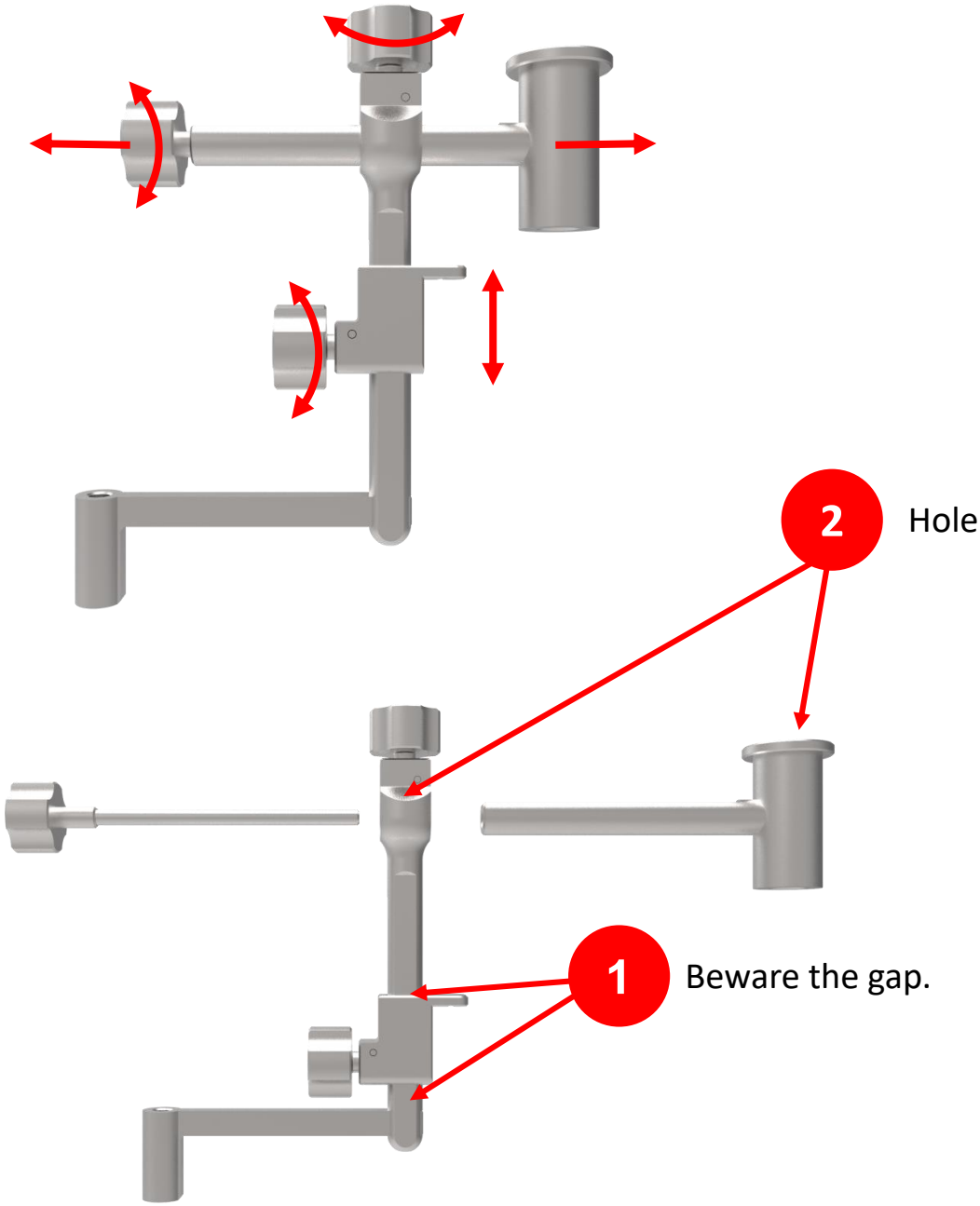


# Tibial IM Alignment Guide

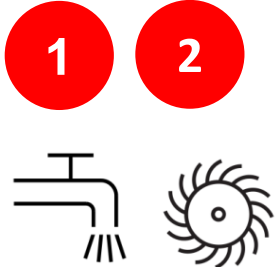
EX. 9403-2103

EX. 9403-2103-RA

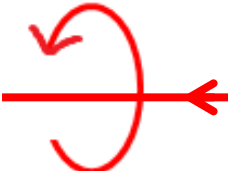
EX. 9403-2310



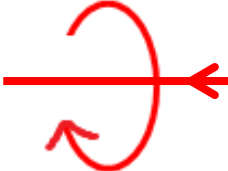
## Cleaning



Disassembly

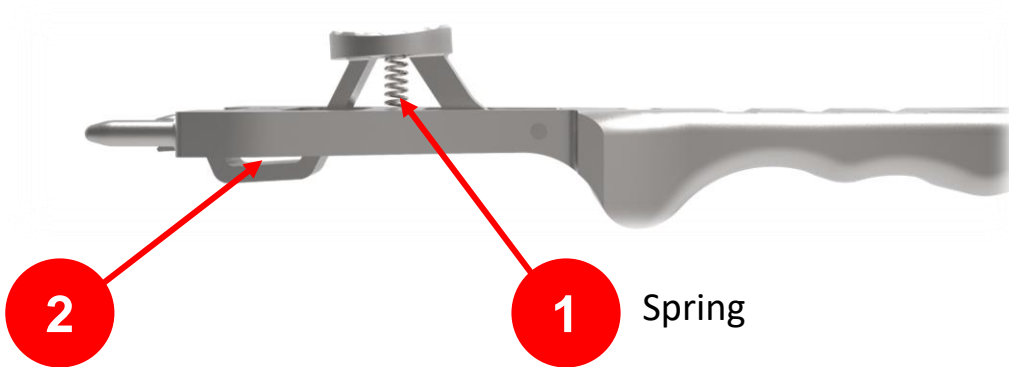
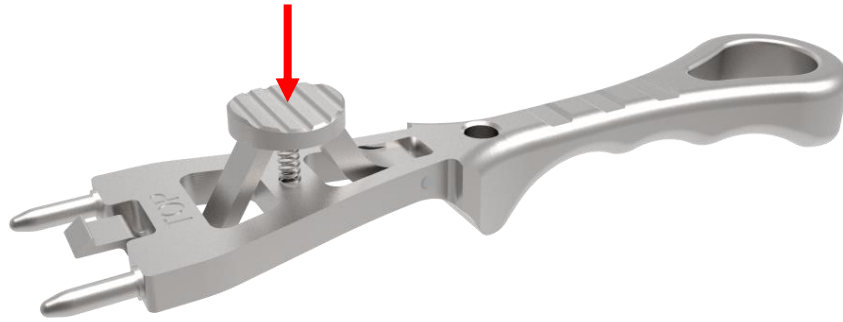


Assembly

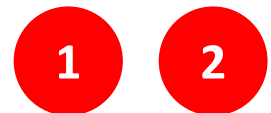


# Tibial Insert Trial Handle

EX. 9404-1103



## Cleaning

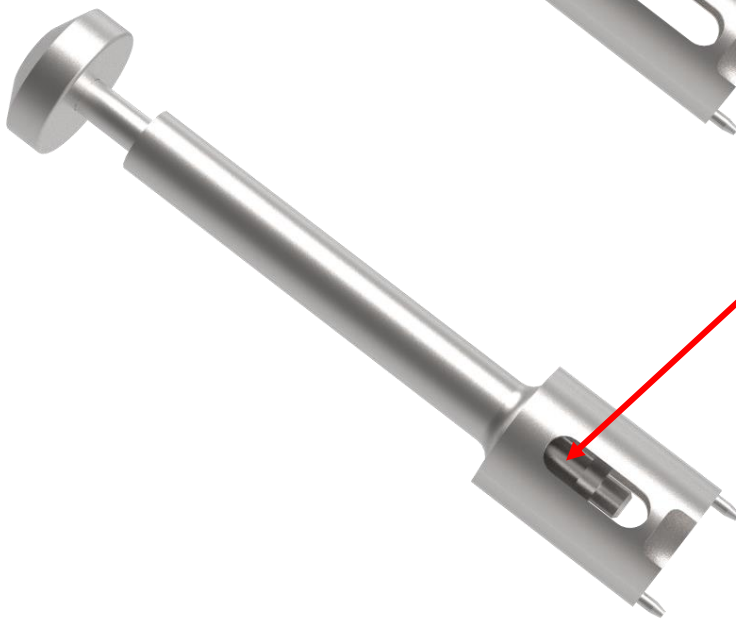
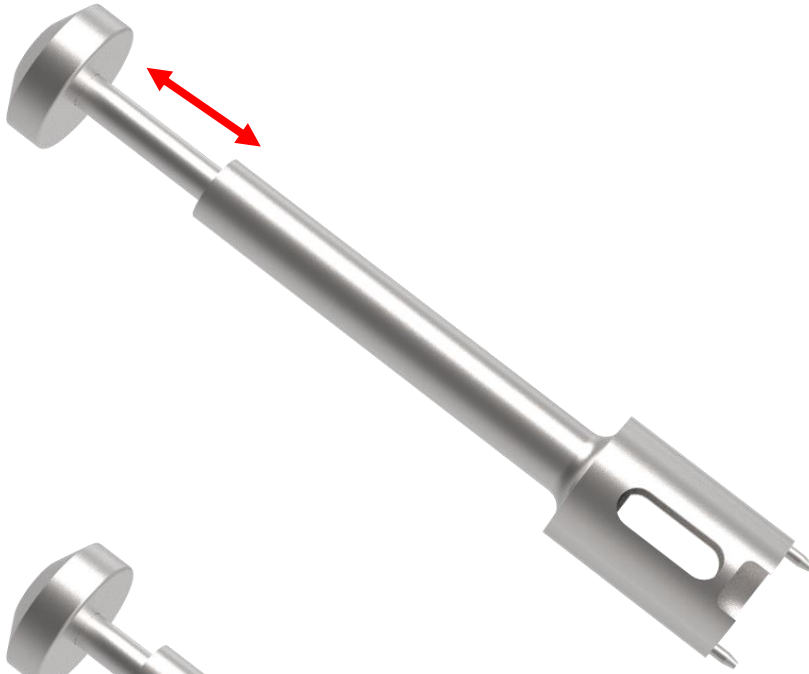


# Tibial Punch Handle

EX. 9403-1101

EX. 9403-1101-RC

EX. 9403-1102-RC



1

Beware the gap.

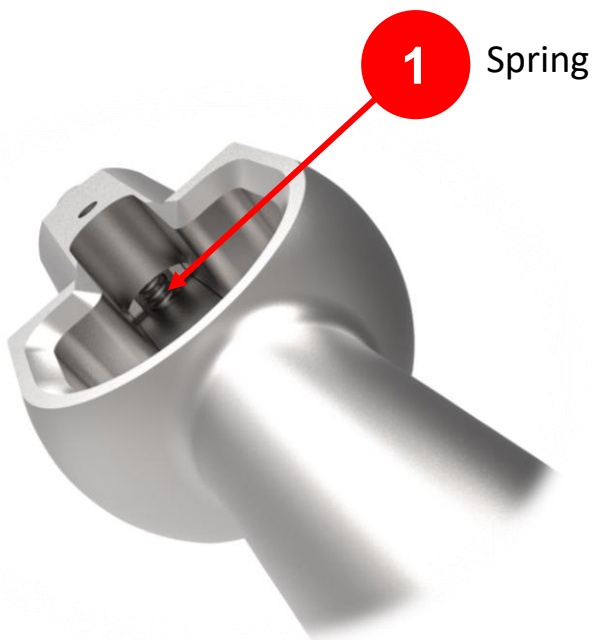
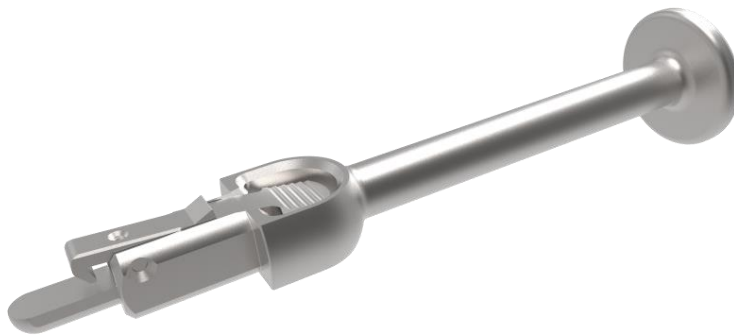
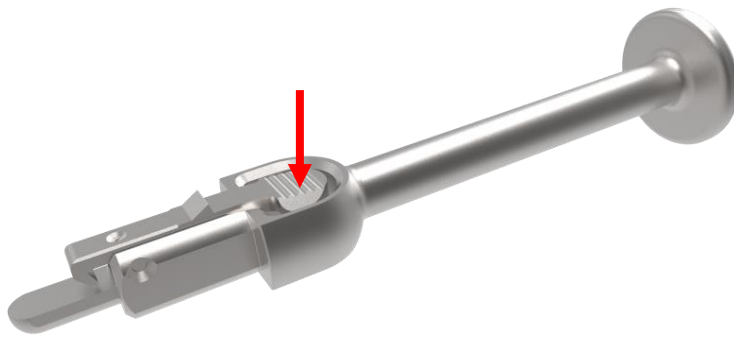
## Cleaning

1



# Tibial Punch Handle

EX. 9404-1101



## Cleaning



Please note that this Surgical Technique Guide has been authored in the English language. Any translations into other languages have not been reviewed or approved by United Orthopedic Corporation and their accuracy cannot be confirmed. Any translated guide should be reviewed carefully prior to use and questions regarding a Surgical Technique Guide should be directed to United Orthopedic Corporation at [unitedorthopedic.com/contact](http://unitedorthopedic.com/contact)

The CE mark is valid only if it is also printed on the product label.

